

OWNER'S MANUAL GS160 • GS190



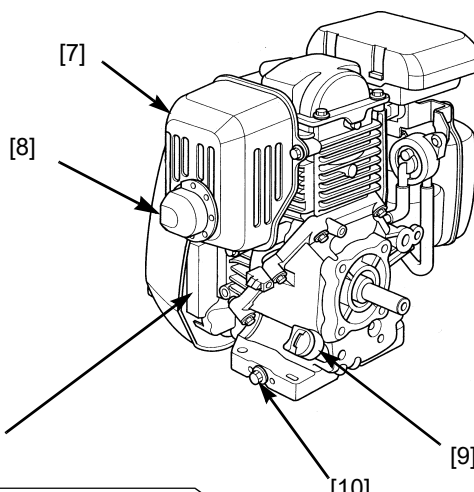
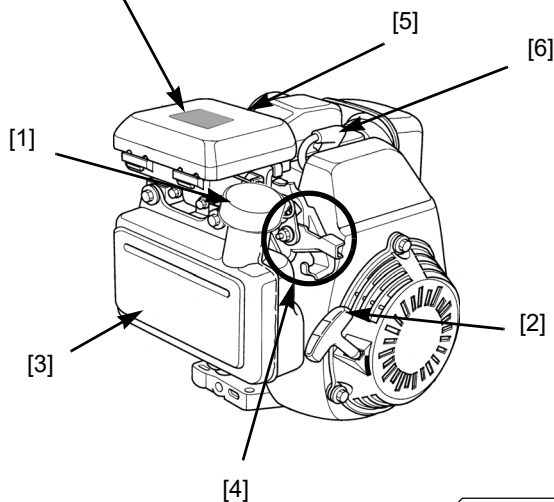
ENGLISH

FRANÇAIS

ESPAÑOL

⚠ WARNING
Gasoline is highly flammable and explosive. Turn engine off and let cool before refueling.
The engine emits toxic carbon monoxide. Do not run in an enclosed area.
Read Owner's Manual before operation.
Honda Motor Co., Ltd.

⚠ WARNING
The engine exhaust from this product contains chemicals known to the State of California to cause cancer, birth defects, or other reproductive harm.



COMPONENT LOCATION

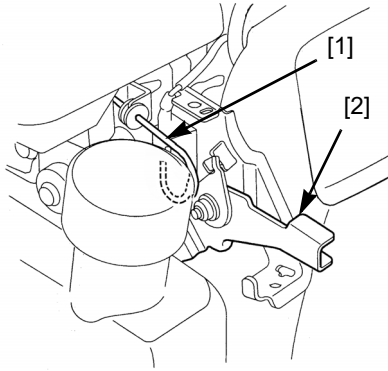
1	Fuel filler cap
2	Starter grip
3	Fuel tank
4	Control location *
5	Air cleaner
6	Spark plug

7	Muffler
8	Muffler deflector (optional)
9	Oil filler cap/dipstick
10	Oil drain bolt
11	Engine serial number and type

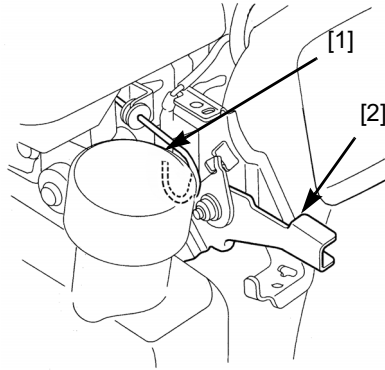
* The engine control area differs based on the engine type. Refer to the individual figures on [page 2](#) to determine your engine control type when reading the *Operation* section and other sections in this manual.



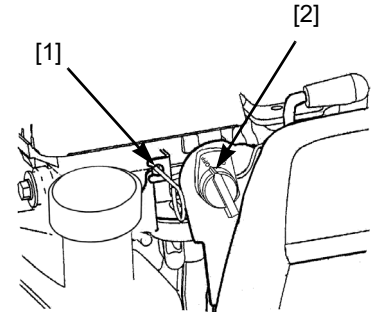
Type/Tipo 1



Type/Tipo 2

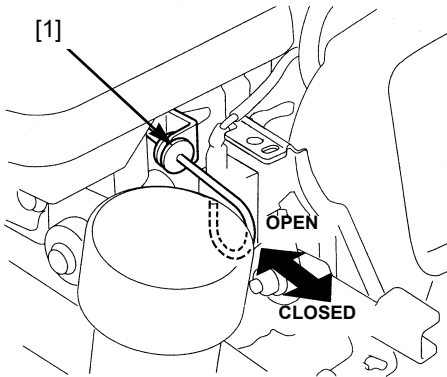


Type/Tipo 3

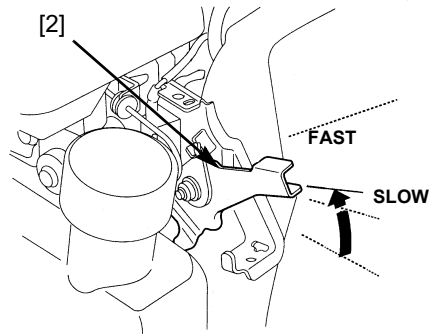


Type/ Tipo 1	Manual Choke [1], Manual Throttle (gray) [2]	Type/ Tipo 2	Manual Choke [1], Ignition Switch Lever (red) [2], Fixed Throttle	Type/ Tipo 3	Manual Choke [1], Engine Stop Switch [2], Fixed Throttle
	Étrangleur Manuel [1], Accélérateur Manuel [2]		Étrangleur Manuel [1], Levier de Commande D'allumage [2], Accélérateur Fixe		Étrangleur Manuel [1], Interrupteur d'arrêt du Moteur [2], Accélérateur Fixe
	Choke Manual [1], Acelerador Manual [2]		Choke Manual [1], Palanca del Interruptor de Encendido [2], Acelerador Fijo		Choke Manual [1], Interruptor de Parada del Motor [2], Acelerador Fijo

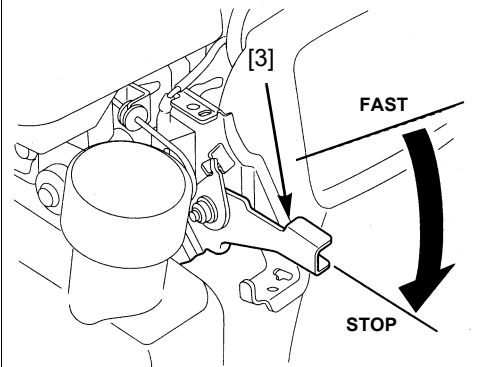
Figure/Figura 1



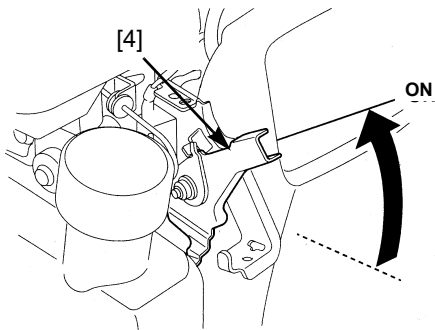
Figure/Figura 2



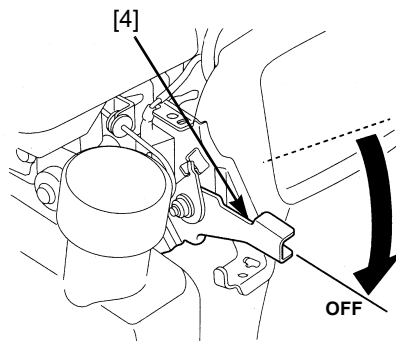
Figure/Figura 3



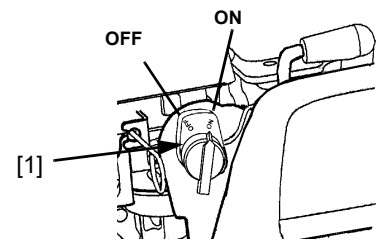
Figure/Figura 4



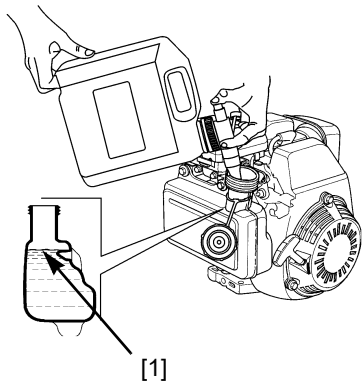
Figure/Figura 5



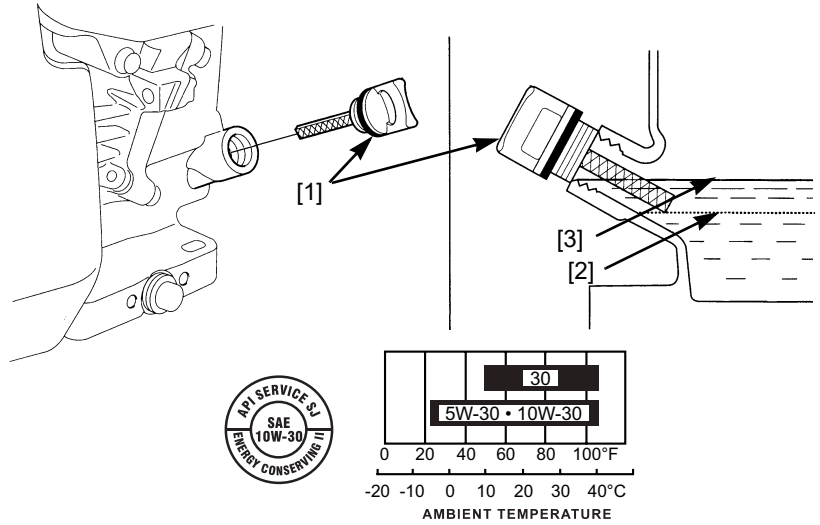
Figure/Figura 6



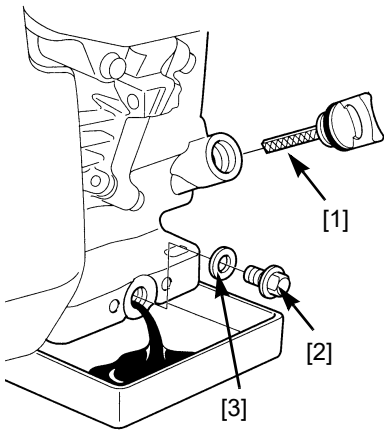
Figure/Figura 7



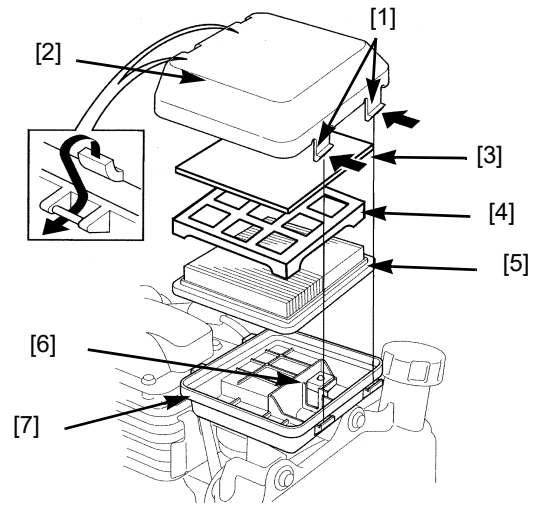
Figure/Figura 8



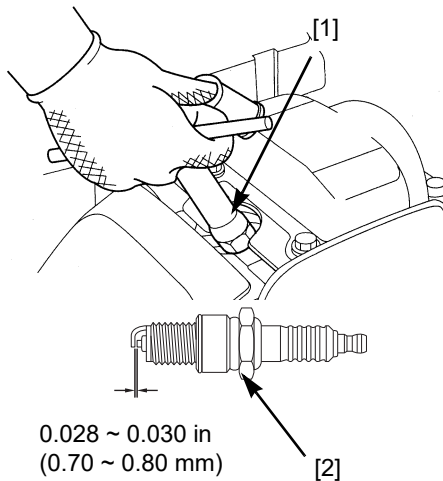
Figure/Figura 9



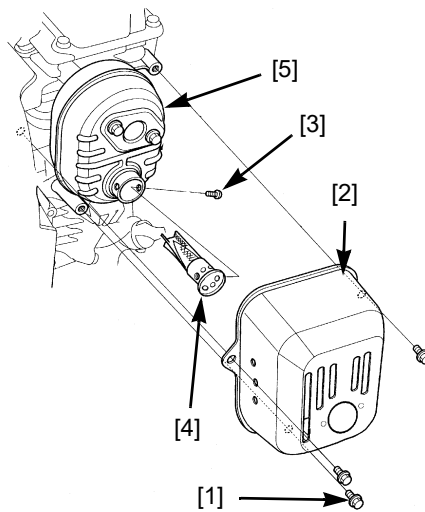
Figure/Figura 10



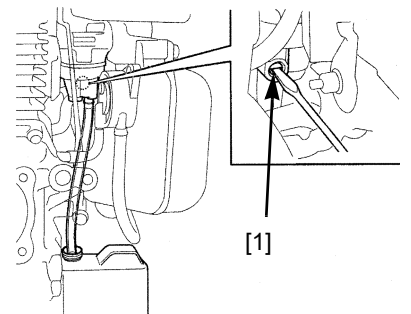
Figure/Figura 11



Figure/Figura 12



Figure/Figura 13



INTRODUCTION

Thank you for purchasing a Honda engine. We want to help you get the best results from your new engine and operate it safely. This manual contains information on how to do that; please read it carefully before operating the engine. If a problem should arise, or if you have any questions about your engine, consult an authorized Honda servicing dealer.

All information in this publication is based on the latest product information available at the time of printing. American Honda Motor Co., Inc. reserves the right to make changes at any time without notice and without incurring any obligation. No part of this publication may be reproduced without written permission.

This manual should be considered a permanent part of the engine and should remain with the engine if resold.


Review the instructions provided with the equipment powered by this engine for any additional information regarding engine startup, shutdown, operation, adjustments, or any special maintenance instructions.

CONTENTS

SAFETY MESSAGES	4
BEFORE OPERATION CHECKS	4
OPERATION	5
SAFE OPERATING PRECAUTIONS	5
STARTING/STOPPING THE ENGINE (ALL TYPES)	5
SERVICING YOUR ENGINE	6
MAINTENANCE SAFETY	6
MAINTENANCE SCHEDULE	6
REFUELING	6
ENGINE OIL	7
AIR CLEANER	7
SPARK PLUG	8
SPARK ARRESTER (if equipped)	8
STORING YOUR ENGINE	8
TRANSPORTING	9
TAKING CARE OF UNEXPECTED PROBLEMS	9
TECHNICAL INFORMATION	10
CONSUMER INFORMATION	12
AVOIDING FUEL-RELATED PROBLEMS	13
DISTRIBUTOR'S LIMITED WARRANTY	14

SAFETY MESSAGES

Your safety and the safety of others are very important. We have provided important safety messages in this manual and on the engine. Please read these messages carefully.

A safety message alerts you to potential hazards that could hurt you or others. Each safety message is preceded by a safety alert symbol  and one of three words, DANGER, WARNING, or CAUTION.

These signal words mean:

DANGER

You **WILL** be KILLED or SERIOUSLY HURT if you don't follow instructions.

WARNING

You **CAN** be KILLED or SERIOUSLY HURT if you don't follow instructions.

CAUTION

You **CAN** be HURT if you don't follow instructions.

Each message tells you what the hazard is, what can happen, and what you can do to avoid or reduce injury.

DAMAGE PREVENTION MESSAGES

You will also see other important messages that are preceded by the word NOTICE.

This word means:

NOTICE

Your engine or other property can be damaged if you don't follow instructions.

The purpose of these messages is to help prevent damage to your engine, other property, or the environment.

SAFETY INFORMATION

- Understand the operation of all controls and learn how to stop the engine quickly in case of emergency. Make sure the operator receives adequate instruction before operating the equipment.
- Do not allow children to operate the engine. Keep children and pets away from the area of operation.
- Your engine's exhaust contains poisonous carbon monoxide. Do not run the engine without adequate ventilation, and never run the engine indoors.
- The engine and exhaust become very hot during operation. Keep the engine at least 3 feet (1 meter) away from buildings and other equipment during operation. Keep flammable materials away, and do not place anything on the engine while it is running.

SAFETY LABEL LOCATION

The label shown on [page 1](#) contains important safety information. Please read it carefully.

This label is considered a permanent part of your engine. So if the label comes off or becomes hard to read, contact your dealer for a replacement.

BEFORE OPERATION CHECKS

IS YOUR ENGINE READY TO GO?

For your safety, to ensure compliance with environmental regulations, and to maximize the service life of your equipment, it is very important to take a few moments before you operate the engine to check its condition. Be sure to take care of any problem you find, or have your servicing dealer correct it, before you operate the engine.

WARNING

Improperly maintaining this engine, or failing to correct a problem before operation, could cause a malfunction in which you could be seriously injured.

Always perform a pre-operation inspection before each operation, and correct any problem.

Before beginning your preoperation checks, be sure the engine is level and the throttle lever or engine stop switch is in the STOP or OFF position.

Always check the following items before you start the engine:

1. Fuel level ([page 6](#)).
2. Oil level ([page 7](#)).

The Oil Alert[®] system (applicable engine types) will automatically stop the engine before the oil level falls below safe limits. However, to avoid the inconvenience of an unexpected shutdown, always check the engine oil level before startup.

3. Air cleaner ([page 7](#)).
4. General inspection: Check for fluid leaks and loose or damaged parts.
5. Check the equipment powered by this engine.

Review the instructions provided with the equipment powered by this engine for any precautions and procedures that should be followed before engine startup.

OPERATION

SAFE OPERATING PRECAUTIONS

Before operating the engine for the first time, please review the *SAFETY MESSAGES* and the *BEFORE OPERATION CHECKS* [page 4](#).

For your safety, do not operate the engine in an enclosed area such as a garage. Your engine's exhaust contains poisonous carbon monoxide gas that can collect rapidly in an enclosed area and cause illness or death.

⚠ WARNING

Exhaust contains poisonous carbon monoxide gas that can build up to dangerous levels in closed areas. Breathing carbon monoxide can cause unconsciousness or death.

Never run the engine in a closed or even partially closed area where people may be present.

Review the instructions provided with the equipment powered by this engine for any safety precautions that should be observed with engine startup, shutdown, or operation.

Do not operate the engine on slopes greater than 20°.

FREQUENCY OF USE

If your equipment will be used on an infrequent or intermittent basis (more than 4 weeks between usage), refer to the *Fuel* section of the *STORAGE* chapter ([page 8](#)) for additional information regarding fuel deterioration.

STARTING/STOPPING THE ENGINE (ALL TYPES)

See the figures on the top of [page 2](#) to identify the type of control used on your equipment. Type specific starting and stopping information can be found after the general information shown below.

- **Manual choke:** Place the choke lever/rod [1] in the CHOKE position when starting a cold engine.

Move the choke lever/rod to the OFF position as soon as the engine fully warms up and runs smoothly without use of the choke, or for restarting a warm engine.
- **Engine speed:** For best engine performance, it is recommended the engine be operated with the throttle in the FAST (or high) position.
- **Starter grip:** Pull the starter grip lightly until resistance is felt, and then pull briskly.

NOTICE

Do not allow the starter grip to snap back against the engine. Return it gently to prevent damage to the starter.

OIL ALERT® SYSTEM (APPLICABLE ENGINE TYPES)

The Oil Alert system is designed to prevent engine damage caused by an insufficient amount of oil in the crankcase. Before the oil level in the crankcase can fall below a safe limit, the Oil Alert system will automatically stop the engine [the throttle lever (ignition switch lever) will remain in a run position].

If the engine stops and will not restart, check the engine oil level ([page 7](#)) before troubleshooting in other areas.

Type 1: Manual Choke, Manual Throttle

STARTING THE ENGINE

1. Move the choke rod [1] to the CLOSED position (cold engine) (see [Figure 1, page 2](#)).
2. Move the throttle lever (gray) [2] to the SLOW position, about 1/3 of the way toward the FAST position (see [Figure 2, page 2](#)).

Some engine applications use a remotely-mounted throttle control rather than the engine-mounted throttle lever shown.
3. Pull the starter grip lightly until resistance is felt; then pull briskly.
4. If the choke rod was pulled to the CLOSED position to start the engine, push it to the OPEN position as soon as the engine warms up enough to run smoothly.
5. Position the throttle control lever (gray) for the desired engine speed.

STOPPING THE ENGINE

1. Move the throttle control lever (gray) to the SLOW position.
2. Allow the engine to idle for a few seconds; then move the throttle control lever to the STOP position.

Type 2: Manual Choke, Ignition Switch Lever, Fixed Throttle

STARTING THE ENGINE

1. Move the choke rod [1] to the CLOSED position (cold engine) (see [Figure 1, page 2](#)).
2. Move the ignition switch lever (red) [4] to the ON position (see [Figure 4, page 2](#)).

Some engine applications use a remote-mounted ignition switch rather than the engine-mounted lever shown.
3. Pull the starter grip lightly until resistance is felt; then pull briskly.
4. If the choke rod was pulled to the CLOSED position to start the engine, push it to the OPEN position as soon as the engine warms up enough to run smoothly.

The engine speed is preset on this type.

STOPPING THE ENGINE

Move the ignition switch lever (red) to the OFF position (see [Figure 5, page 2](#)).

Type 3: Manual Choke, Engine Stop Switch, Fixed Throttle

Some engine applications use a remote-mounted engine stop switch rather than the engine-mounted engine stop switch shown. Refer to the instructions provided by the equipment manufacturer.

STARTING THE ENGINE

1. Move the choke rod [1] to the CLOSED position (cold engine) (see [Figure 1, page 2](#)).
2. Move the engine stop switch [2] to the ON position (see [Figure 6, page 2](#)).
3. Pull the starter grip lightly until resistance is felt; then pull briskly.
4. If the choke rod was pulled to the CLOSED position to start the engine, push it to the OPEN position as soon as the engine warms up enough to run smoothly.

The engine speed is preset on this type.

STOPPING THE ENGINE

Move the engine stop switch to the OFF position (see [Figure 6, page 2](#)).

SERVICING YOUR ENGINE

THE IMPORTANCE OF MAINTENANCE

Good maintenance is essential for safe, economical, and trouble-free operation. It will also help reduce pollution.

⚠ WARNING

Improper maintenance, or failure to correct a problem before operation, can cause a malfunction in which you can be seriously hurt or killed.

Always follow the inspection and maintenance recommendations and schedules in this Owner's Manual.

To help you properly care for your engine, the following pages include a maintenance schedule, routine inspection procedures, and simple maintenance procedures using basic hand tools. Other service tasks that are more difficult, or require special tools, are best handled by professionals and are normally performed by a Honda technician or other qualified mechanic.

The maintenance schedule applies to normal operating conditions. If you operate your engine under severe conditions, such as sustained high-load or high-temperature operation, or use in unusually wet or dusty conditions, consult your servicing dealer for recommendations applicable to your individual needs and use.

Remember that an authorized Honda servicing dealer knows your engine best and is fully equipped to maintain and repair it.

To ensure the best quality and reliability, use only new Honda Genuine parts or their equivalents for repair and replacement.

Maintenance, replacement, or repair of the emission control devices and systems may be performed by any engine repair establishment or individual, using parts that are "certified" to EPA standards.

MAINTENANCE SAFETY

Some of the most important safety precautions follow. However, we cannot warn you of every conceivable hazard that can arise in performing maintenance. Only you can decide whether or not you should perform a given task.

⚠ WARNING

Failure to properly follow maintenance instructions and precautions can cause you to be seriously hurt or killed.

Always follow the procedures and precautions in this Owner's Manual.

SAFETY PRECAUTIONS

- Make sure the engine is off before you begin any maintenance or repairs. This will eliminate several potential hazards:
 - **Carbon monoxide poisoning from engine exhaust.**
Be sure there is adequate ventilation whenever you operate the engine.
 - **Burns from hot parts.**
Let the engine and exhaust system cool before touching.
 - **Injury from moving parts.**
Do not run the engine unless instructed to do so.
- Read the instructions before you begin, and make sure you have the tools and skills required.
- To reduce the possibility of fire or explosion, be careful when working around gasoline. Use only a nonflammable solvent, not gasoline, to clean parts. Keep cigarettes, sparks, and flames away from all fuel related parts.

MAINTENANCE SCHEDULE

Perform at every indicated month/year or operating hour interval, whichever comes first. ⁽¹⁾

Regular Service Period	Item	Page
Before each use	Check: Engine oil level Check: Air filter	page 7 page 7
First month or 5 hours	Change: Engine oil	page 7
Every 3 months or 25 hours	Clean: Air filter ⁽²⁾	page 7
Every 6 months or 50 hours	Change: Engine oil ⁽³⁾ Clean: Air filter ⁽²⁾	page 7 page 7
Every year or 100 hours	6 month items above plus: Check-adjust: Spark plug Clean: Spark arrester (if equipped) Check-adjust: Idle speed ⁽⁴⁾ Clean: Fuel tank and filter ⁽⁴⁾ Check-adjust: Valve clearance ⁽⁴⁾	page 8 page 8
Every 2 years or 200 hours	Yearly items above plus: Replace: Air filter Replace: Spark plug	page 7 page 8
Every 2 years	Check: Fuel lines ⁽⁴⁾ (replace if necessary)	

- (1) For commercial use, log hours of operation to determine proper maintenance intervals.
- (2) Service more frequently when used in dusty areas.
- (3) Change engine oil every 25 hours when used under heavy load or in high ambient temperatures.
- (4) These items should be serviced by an authorized Honda servicing dealer, unless you have the proper tools and are mechanically proficient. Refer to the Honda shop manual for service procedures. See "Honda PUBLICATIONS" on [page 12](#) for ordering information.

Failure to follow this maintenance schedule could result in non-warrantable failures.

REFUELING

This engine is certified to operate on unleaded gasoline with a pump octane rating of 86 or higher.

We recommend refueling after each use to minimize the air present in the fuel tank.

Refuel in a well-ventilated area with the engine stopped. If the engine has been running, allow it to cool first. Never refuel the engine inside a building where gasoline fumes may reach flames or sparks.

You may use regular unleaded gasoline containing no more than 10% ethanol (E10) or 5% methanol by volume. In addition, methanol must contain cosolvents and corrosion inhibitors. Use of fuels with content of ethanol or methanol greater than shown above may cause starting and/or performance problems. It may also damage metal, rubber, and plastic parts of the fuel system. In addition, ethanol is hygroscopic, which means it attracts and retains water in the fuel system. Engine damage or performance problems that result from using a fuel with percentages of ethanol or methanol greater than shown above are not covered by warranty.

If your equipment will be used on an infrequent or intermittent basis (more than 4 weeks between usage), refer to the *Fuel* section of the STORAGE chapter ([page 8](#)) for additional information regarding fuel deterioration.

Never use stale or contaminated gasoline or oil/gasoline mixture. Avoid getting dirt or water in the fuel tank.

⚠ WARNING

Gasoline is highly flammable and explosive, and you can be burned or seriously injured when refueling.

- Stop engine and keep heat, sparks, and flame away.
- Refuel only outdoors.
- Wipe up spills immediately.

Adding Fuel

See Figure 7, [page 3](#).

1. Remove the fuel tank cap.
2. Add fuel to the bottom of the fuel level limit [1] in the neck of the fuel tank. Do not overfill. Wipe up spilled fuel before starting the engine.
3. Install the fuel tank cap and tighten it until it clicks.
Move at least 10 feet (3 meters) away from the fueling source and site before starting the engine.

NOTICE

Fuel can damage paint and some types of plastic. Be careful not to spill fuel when filling your fuel tank. Damage caused by spilled fuel is not covered under your DISTRIBUTOR'S LIMITED WARRANTY.

Fuel Storage Container

Store your gasoline in a clean, plastic, sealed container designed for fuel storage. Close the vent (if equipped) when not in use, and store the container away from direct sunlight. If it takes more than 3 months to use the fuel in the container, we suggest adding a fuel stabilizer to the fuel when you fill the container. If you have some fuel left in the storage container at the end of the season, the Environmental Protection Agency (EPA) suggests adding the gasoline to your vehicle's gas tank.

ENGINE OIL

Oil is a major factor affecting performance and service life. Always change the oil in accordance with the maintenance schedule ([page 6](#)).

Recommended Oil

See Figure 8, [page 3](#).

Use 4-stroke motor oil that meets or exceeds the requirements for API service category SJ or later. Always check the API service label on the oil container to be sure it includes the letters SJ or later.

SAE 10W-30 is recommended for general use. Other viscosities shown in the chart may be used when the average temperature in your area is within the indicated range.

Oil Level Check

See Figure 8, [page 3](#).

1. Check the oil with the engine stopped and level.
2. Remove the oil filler cap/dipstick [1] and wipe it clean.
3. Insert the oil filler cap/dipstick into the oil filler neck as shown, but do not screw it in, and then remove it to check the oil level.
4. If the oil level is near or below the lower limit mark [2] on the dipstick, fill with the recommended oil to the upper limit mark [3]. Do not overfill.
5. Reinstall the oil filler cap/dipstick [1].

Oil Change

See Figure 9, [page 3](#).

Drain the engine oil when the engine is warm. Warm oil drains quickly and completely.

1. Place a suitable container next to the engine to catch the used oil.
2. Remove the oil filler cap/dipstick [1], and the oil drain plug [2] and washer [3].
3. Allow the used oil to drain completely; then reinstall the drain plug and new washer. Tighten the drain plug securely.

Please dispose of used motor oil in a manner that is compatible with the environment. We suggest you take used oil in a sealed container to your local recycling center or service station for reclamation. Do not throw it in the trash, pour it on the ground, or pour it down a drain.

4. With the engine in a level position, fill to the upper limit mark (bottom edge of the oil fill hole) on the dipstick with the recommended oil. Do not overfill.

Capacity: 20 oz (0.58 L)

NOTICE

Running the engine with a low oil level can cause engine damage. This type of damage is not covered by the DISTRIBUTOR'S LIMITED WARRANTY.

5. Reinstall the oil filler cap/dipstick [1] securely.

AIR CLEANER

A properly maintained air filter will help prevent dirt from entering your engine. Dirt entering the carburetor can be drawn into small passages in the carburetor and cause premature engine wear. These small passages can become blocked, causing starting or running problems. You will need to clean the filter more frequently if you operate the engine in very dusty areas.

NOTICE

Operating the engine without an air filter, or with a damaged filter, will allow dirt to enter the engine, causing rapid engine wear. This type of damage is not covered under your DISTRIBUTOR'S LIMITED WARRANTY.

Inspection

See Figure 10 on [page 3](#).

1. Press the latch tabs [1] on the top of the air cleaner cover [2], and remove the cover.
2. Remove the foam element [3] from the air cleaner cover.
3. Remove the grid [4] from the paper element [5].
4. Check both elements to be sure they are clean and in good condition.
5. Reinstall the grid over the paper element. Make sure that the grid completely surrounds the paper pleats.
6. Reinstall the foam element in the air cleaner cover.
7. Set the paper element and screen grid in the air cleaner body, and then install the air cleaner cover.

Cleaning

1. Tap the filter [5] several times on a hard surface to remove dirt, or blow compressed air not exceeding 30 psi (207 kPa) through the filter from the clean side that faces the engine. Never try to brush off dirt. Brushing will force dirt into the fibers.

2. Foam Element [3]: Wash the element in a solution of household detergent and warm water, then rinse thoroughly, or wash in nonflammable or high flash point solvent. Allow the element to dry thoroughly.
Soak the element in clean engine oil and squeeze out the excess oil. The engine will smoke during initial start-up if too much oil is left in the foam, or the oil could saturate the paper element making the engine inoperable.
3. Wipe dirt from the air cleaner body [7] and cover using a moist rag. Be careful to prevent dirt from entering the air duct [6] that leads to the carburetor.

SPARK PLUG

See Figure 11, [page 3](#).

Required Spark Plug: NGK - BPR6ES

The required spark plug is the correct heat range for normal engine operating temperatures.

NOTICE

Incorrect spark plugs can cause engine damage.

For good performance, the spark plug must be properly gapped and free of deposits.

1. Disconnect the cap from the spark plug, and remove any dirt from the spark plug area.
2. Use the proper size spark plug wrench [1] to remove the spark plug.
3. Inspect the spark plug. Replace it if damaged, badly fouled, if the sealing washer [2] is in poor condition, or if the electrode is worn.
4. Measure the electrode gap with a suitable gauge. The correct gap is 0.028 ~ 0.031 in (0.70 ~ 0.80 mm). If adjustment is needed, correct the gap by carefully bending the side electrode.
5. Install the spark plug carefully, by hand, to avoid cross-threading.
6. After the spark plug is seated, tighten with the proper size spark plug wrench to compress the washer.

When installing a new spark plug, tighten 1/2 turn after the spark plug seats to compress the washer.

When reinstalling the original spark plug, tighten 1/8 ~ 1/4 turn after the spark plug seats to compress the washer.

NOTICE

Properly tighten the spark plug. A loose spark plug can become very hot and can damage the engine. Overtightening the spark plug can damage the threads in the cylinder head.

7. Attach the spark plug cap to the spark plug.

SPARK ARRESTER (IF EQUIPPED)

See Figure 12, [page 3](#).

The spark arrester may be standard or an optional part, depending on the engine type. In some areas, it is illegal to operate an engine without a spark arrester. Check local laws and regulations. A spark arrester is available from authorized Honda servicing dealers.

The spark arrester must be serviced every 100 hours to keep it functioning as designed.

If the engine has been running, the muffler will be hot. Allow it to cool before servicing the spark arrester.

Removal

1. Remove the three 6 mm bolts [1] from the muffler protector [2], and remove the muffler protector.
2. Remove the 4 mm screw [3] from the spark arrester [4], and remove the spark arrester from the muffler [5].

Cleaning & Inspection

1. Use a brush to remove carbon deposits from the spark arrester screen. Be careful not to damage the screen. Replace the spark arrester if it has breaks or holes.
2. Install the spark arrester in the reverse order of removal.

STORING YOUR ENGINE

STORAGE PREPARATION

Proper storage preparation is essential for keeping your engine trouble-free and looking good. The following steps will help to keep rust and corrosion from impairing your engine's function and appearance, and will make the engine easier to start when you use it again.

CLEANING

If the engine has been running, allow it to cool for at least half an hour before cleaning. Clean all exterior surfaces, touch up any damaged paint, and coat other areas that may rust with a light film of oil.

NOTICE

Using a garden hose or pressure washing equipment can force water into the air cleaner or muffler opening. Water in the air cleaner will soak the air filter, and water that passes through the air filter or muffler can enter the cylinder, causing damage.

FUEL

NOTICE

Depending on the region where you operate your equipment, fuel formulations may deteriorate and oxidize rapidly. Fuel deterioration and oxidation can occur in as little as 30 days and may cause damage to the carburetor and/or fuel system. Please check with your servicing dealer for local storage recommendations.

The length of time that gasoline can be left in your fuel tank and carburetor without causing functional problems will vary with such factors as gasoline blend, your storage temperatures, and whether the fuel tank is partially or completely filled. The air in a partially filled fuel tank promotes fuel deterioration. Very warm storage temperatures accelerate fuel deterioration. Fuel problems may occur within a month of inactivity, or even less if the gasoline was not fresh when you filled the fuel tank.

Gasoline will oxidize and deteriorate in storage. Deteriorated gasoline will cause hard starting, and it leaves gum deposits that can clog the small passages in the fuel system. If the gasoline in your engine deteriorates during storage, you may need to have the carburetor and other fuel system components serviced or replaced.

If you keep a container of gasoline for refueling, be sure that it contains only fresh gasoline. If it takes more than 3 months to use the fuel in your storage container, we suggest adding a fuel stabilizer to the fuel when you fill the container.

Fuel system damage or engine performance problems resulting from neglected storage preparation are not covered under your engine warranty.

Short Term Storage (30 - 90 days)

If your equipment will not be used between 30 and 90 days, we recommend the following to prevent fuel-related problems:

1. Add fuel stabilizer following the manufacturer's instructions.
When adding a fuel stabilizer, fill the fuel tank with fresh gasoline. If only partially filled, air in the tank will promote fuel deterioration during storage.
Note:
 - All stabilizers have a shelf life and their performance will deteriorate over time.
 - Fuel stabilizers will not reconstitute stale fuel.
2. After adding a fuel stabilizer, run the engine outdoors for 10 minutes to be sure that treated gasoline has replaced the untreated gasoline in the carburetor.

Long Term or Seasonal Storage (greater than 90 days)

⚠ WARNING

Gasoline is highly flammable and explosive, and you can be burned or seriously injured when handling fuel.

- Stop engine and keep heat, sparks, and flame away.
- Refuel only outdoors.
- Wipe up spills immediately.

1. Use a siphon pump (commercially available) and siphon the fuel out of the fuel tank into an approved gasoline container. (see Figure 13, [page 3](#))
2. Place an approved gasoline container below the carburetor, and use a funnel to avoid spilling fuel.
3. Loosen the carburetor drain screw [1] and drain the carburetor into an approved gasoline container. After draining is completed, tighten the carburetor drain screw.

ENGINE OIL

1. Change the engine oil (see [page 7](#)).
2. Remove the spark plug (see [page 8](#)).
3. Pour 1 - 2 teaspoons (5 ~ 10 cc) of clean engine oil into the cylinder.
4. Pull the recoil starter several times to distribute the oil.
5. Reinstall the spark plug.

STORAGE PRECAUTIONS

If your engine will be stored with gasoline in the fuel tank, it is important to reduce the hazard of gasoline vapor ignition. Select a well-ventilated storage area away from any appliance that operates with a flame, such as a furnace, water heater, or clothes dryer. Also avoid any area with a spark-producing electric motor, or where power tools are operated.

If possible, avoid storage areas with high humidity, because that promotes rust and corrosion.

Keep the engine level in storage. Tilting can cause fuel or oil leakage.

With the engine and exhaust system cool, cover the engine to keep out dust. A hot engine and exhaust system can ignite or melt some materials. Do not use sheet plastic as a dust cover. A nonporous cover will trap moisture around the engine, promoting rust and corrosion.

Removal From Storage

Check your engine as described in the *BEFORE OPERATION CHECKS* section of this manual (see [page 4](#)).

If the fuel was drained during storage preparation, fill the tank with fresh gasoline. If you keep a container of gasoline for refueling, be sure it contains only fresh gasoline. Gasoline oxidizes and deteriorates over time, causing hard starting.

If the cylinder was coated with oil during storage preparation, the engine will smoke briefly at startup. This is normal.

TRANSPORTING

Keep the engine level when transporting to reduce the possibility of fuel leakage. Turn the fuel valve to the OFF position.

Review the instructions provided with the equipment powered by this engine for any procedures that should be followed for transporting.

TAKING CARE OF UNEXPECTED PROBLEMS

Engine will not start

POSSIBLE CAUSE	CORRECTION
Choke is OFF.	Unless the engine is warm, move the choke lever to the CHOKE position.
Ignition switch or engine stop switch is OFF.	<ul style="list-style-type: none">• Move the throttle lever to the SLOW or FAST position• Move the ignition switch lever to the ON position• Move the engine stop switch to the ON position
Engine oil level is low (oil alert models)	Fill with the recommended oil to the proper level (page 7).
Out of fuel.	Refuel
Bad fuel; engine stored without treating gasoline, or refueled with bad gasoline.	Drain the fuel tank and carburetor. Refuel with fresh gasoline.
Spark plug faulty, fouled, or improperly gapped.	Adjust or replace the spark plug (page 8).
Spark plug wet with fuel (flooded engine).	Dry and reinstall the spark plug. Start the engine with the choke in the OFF position and the throttle lever in the FAST position.
Fuel filter clogged, carburetor malfunction, ignition malfunction, valves stuck, etc.	Take the engine to an authorized Honda servicing dealer or refer to the shop manual to replace or repair faulty components as necessary.

Engine lacks power

POSSIBLE CAUSE	CORRECTION
Air filter clogged.	Clean or replace the air filter (page 7).
Bad fuel; engine stored without treating the gasoline, or refueled with bad gasoline.	Drain the fuel tank and carburetor. Refuel with fresh gasoline.
Fuel filter clogged, carburetor malfunction, ignition malfunction, valves stuck, etc.	Take the engine to an authorized Honda servicing dealer or refer to the shop manual to replace or repair faulty components as necessary.

TECHNICAL INFORMATION

SERIAL NUMBER AND TYPE LOCATION

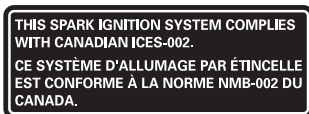
See figures on [page 1](#).

Record the engine serial number and type in the space below. You will need this information when ordering parts and when making technical or warranty inquiries.

MODEL	SERIAL NUMBER	TYPE
GS160 or GS190	_____ - _____	_____
Date of purchase		

RADIO FREQUENCY INTERFERENCE LABEL (CANADA)

This engine complies with Canadian radio frequency interference regulations, ICES-002.



Carburetor Modifications for High Altitude Operation

At high altitude, the standard carburetor air-fuel mixture will be too rich. Performance will decrease, and fuel consumption will increase. A very rich mixture will also foul the spark plug and cause hard starting. Operation at an altitude that differs from that at which this engine was certified, for extended periods of time, may increase emissions.

High altitude performance can be improved by specific modifications to the carburetor. If you always operate your engine at altitudes above 2,000 feet (610 meters), have your servicing dealer perform this carburetor modification. This engine, when operated at high altitude with the carburetor modifications for high altitude use, will meet each emission standard throughout its useful life.

Even with carburetor modification, engine horsepower will decrease about 3.5% for each 1,000-foot (300-meter) increase in altitude. The effect of altitude on horsepower will be greater than this if no carburetor modification is made.

When using auto throttle type engines in high altitude applications, the ability to idle down to 2500 rpm could be diminished. See your servicing dealer for information on adjustments if your auto throttle unit does not idle down with the load released or has trouble returning to full rpm with the load applied.

NOTICE

When the carburetor has been modified for high altitude operation, the air-fuel mixture will be too lean for low altitude use. Operation at altitudes below 2,000 feet (610 meters) with a modified carburetor may cause the engine to overheat and result in serious engine damage. For use at low altitudes, have your servicing dealer return the carburetor to original factory specifications.

EMISSION CONTROL SYSTEM INFORMATION

Source of Emissions

The combustion process produces carbon monoxide, oxides of nitrogen, and hydrocarbons. Control of hydrocarbons and oxides of nitrogen is very important because, under certain conditions, they react to form photochemical smog when subjected to sunlight. Carbon monoxide does not react in the same way, but it is toxic.

Honda utilizes appropriate air/fuel ratios and other emissions control systems to reduce the emissions of carbon monoxide, oxides of nitrogen, and hydrocarbons. Additionally, Honda fuel systems utilize components and control technologies to reduce evaporative emissions.

U.S. and California Clean Air Acts, and Environment and Climate Change Canada (ECCC)

U.S. EPA, California and Canadian regulations require all manufacturers to furnish written instructions describing the operation and maintenance of emission control systems.

The following instructions and procedures must be followed in order to keep the emissions from your Honda engine within the emission standards.

Tampering and Altering

NOTICE

Tampering is a violation of federal and California law.

Tampering with or altering the emission control system may increase emissions beyond the legal limit. Among those acts that constitute tampering are:

- Removal or alteration of any part of intake, fuel, or exhaust systems.
- Alterations that would cause the engine to operate outside its design parameters.

Problems That May Affect Emissions

If you are aware of any of the following symptoms, have your engine inspected and repaired by your authorized Honda Power Equipment dealer.

- Hard starting or stalling after starting.
- Rough idle.
- Misfiring or backfiring under load.
- Afterburning (backfiring).
- Black exhaust smoke or high fuel consumption.

Replacement Parts

The emissions control systems on your new Honda engine were designed, built, and certified to conform with EPA, California (models certified for sale in California only), and Canadian emissions regulations. We recommend the use of Honda Genuine parts whenever you have maintenance done. These original design replacement parts are manufactured to the same standards as the original parts, so you can be confident of their performance. Honda cannot deny coverage under the emission warranty solely for the use of non-Honda replacement parts or service performed at a location other than an authorized Honda dealership; you may use comparable EPA certified parts, and have service performed at non-Honda locations. However, the use of replacement parts that are not of the original design and quality may impair the effectiveness of your emissions control system.

A manufacturer of an aftermarket part assumes the responsibility that the part will not adversely affect emissions performance. The manufacturer or rebuilder of the part must certify that use of the part will not result in a failure of the engine to comply with emissions regulations.

Maintenance

As the power equipment engine owner, you are responsible for completing all required maintenance listed in your owner's manual. Honda recommends that you retain all receipts covering maintenance on your power equipment engine, but Honda cannot deny warranty coverage solely for the lack of receipts or for your failure to ensure that all scheduled maintenance has been completed.

Follow the *MAINTENANCE SCHEDULE* on [page 6](#). Remember that this schedule is based on the assumption that your Honda engine product will be used for its designed purpose. Sustained high-load or high-temperature operation, or use in dusty conditions, will require more frequent service.

Air Index

(Models certified for sale in California)

An Air Index Information label is applied to engines certified to an emission durability time period in accordance with the requirements of the California Air Resources Board.

The bar graph is intended to provide you, our customer, the ability to compare the emissions performance of available engines. The lower the Air Index, the less pollution.

The durability description is intended to provide you with information relating to the engine's emission durability period. The descriptive term indicates the useful life period for the engine's emission control system. See your *EMISSION CONTROL SYSTEM WARRANTY* ([page 16](#)) for additional information.

DESCRIPTIVE TERM	APPLICABLE TO EMISSION DURABILITY PERIOD
Moderate	50 hours (0–80 cc inclusive) 125 hours (greater than 80 cc)
Intermediate	125 hours (0–80 cc inclusive) 250 hours (greater than 80 cc)
Extended	300 hours (0–80 cc inclusive) 500 hours (greater than 80 cc) 1000 hours (225 cc and greater)

Specifications

GS160

Length x Width x Height	13.3 x 14.5 x 13.5 in (337 x 369 x 343 mm)
Dry weight	29.9 lb (13.6 kg)
Engine type	4-stroke, overhead cam, single cylinder
Displacement [Bore x Stroke]	9.8 cu-in (160 cm ³) [2.5 x 2.0 in (64 x 50 mm)]
Oil capacity	20 oz (0.58 L)
Fuel tank capacity	0.48 gal (1.8 L)
Cooling system	Forced air
Ignition system	Transistorized magneto
PTO shaft rotation	Counterclockwise

GS190

Length x Width x Height	13.6 x 14.5 x 13.0 in (345 x 372.5 x 343 mm)
Dry weight	30.4 lb (13.8 kg)
Engine type	4-stroke, overhead cam, single cylinder
Displacement [Bore x Stroke]	11.4 cu-in (187 cm ³) [2.7 x 2.0 in (69 x 50 mm)]
Oil capacity	20 oz (0.58 L)
Fuel tank capacity	0.48 gal (1.8 L)
Cooling system	Forced air
Ignition system	Transistorized magneto
PTO shaft rotation	Counterclockwise

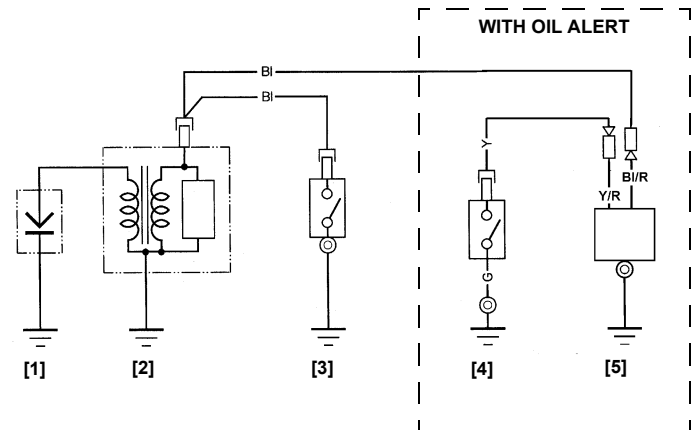
Tuneup Specifications

ITEM	SPECIFICATION	MAINTENANCE
Spark plug gap	0.028 ~ 0.031 in (0.7 ~ 0.8 mm)	Refer to page 8 .
Valve clearance (cold)	IN: 0.15 ± 0.04 mm EX: 0.20 ± 0.04 mm	See your authorized Honda dealer
Other specifications	No other adjustments needed.	

Quick Reference Information

ITEM	DESCRIPTION	
Fuel	Type	Unleaded gasoline with a pump octane rating of 86 or higher (page 7).
Engine Oil	Type	SAE 10W-30, API SJ or later, for general use. Refer to page 7 .
Carburetor	Idle Speed	1,400 ± 150 rpm
Spark plug	Type	BPR6ES (NGK)
Maintenance	Before each use	Check engine oil level. Refer to page 7 . Check air filter. Refer to page 7 .
	First 5 hours	Change engine oil. Refer to page 7 .
	Subsequent	Refer to the maintenance schedule on page 6 .

Wiring Diagrams



Bl	Black	Br	Brown
Y	Yellow	O	Orange
Bu	Blue	Lb	Light blue
G	Green	Lg	Light green
R	Red	P	Pink
W	White	Gr	Gray

ENGINE	SWITCH POSITION
RUN	OPEN
STOP	CLOSED

OIL LEVEL	SWITCH POSITION	ENGINE
NORMAL	OPEN	RUN
LOW LEVEL	CLOSED	STOP

[1]	SPARK PLUG	[4]	OIL LEVEL SWITCH
[2]	IGNITION COIL	[5]	OIL ALERT UNIT
[3]	IGNITION SWITCH		

CONSUMER INFORMATION

DISTRIBUTOR/DEALER LOCATOR INFORMATION

United States, Puerto Rico, and U.S. Virgin Islands:

Visit our website: www.engines.honda.com

Canada:

Call (888) 9HONDA9 [888 946-6329]

or visit our website: www.honda.ca

Honda PUBLICATIONS

These publications will give you additional information for maintaining and repairing your engine.

Shop Manual	This manual covers complete maintenance and overhaul procedures. It is intended to be used by a skilled technician. Available for purchase by visiting publications.powerequipment.honda.com .
Parts Catalog	This manual provides complete, illustrated parts lists for your trimmer. Visit engines.honda.com and then click on <i>Support</i> for free online access to parts catalogs. It is also available for purchase in paper form by visiting publications.powerequipment.honda.com .

CUSTOMER SERVICE INFORMATION

Servicing dealership personnel are trained professionals. They should be able to answer any question you may have. If you encounter a problem that your dealer does not solve to your satisfaction, please discuss it with the dealership's management. The Service Manager, General Manager, or Owner can help. Almost all problems are solved in this way.

If you are dissatisfied with the decision made by the dealership's management, contact the Honda Regional Engine Distributor for your area. You can find their name, address, and phone number using the dealer/distributor locator on our website at www.engines.honda.com

If you are still dissatisfied after speaking with the Regional Engine Distributor, you may contact the Honda Office as shown below.

<Honda's Office>

When you write or call, please provide this information:

- Equipment manufacturer's name and model number that the engine is mounted on
- Engine model, serial number, and type (see [page 10](#))
- Name of dealer who sold the engine to you
- Name, address, and contact person of the dealer who services your engine
- Date of purchase
- Your name, address and telephone number
- A detailed description of the problem

United States, Puerto Rico, and U.S. Virgin Islands:

American Honda Motor Co., Inc.

Power Equipment Division

Customer Relations Dept.

4900 Marconi Drive

Alpharetta, GA 30005-8847

Or telephone: (770) 497-6400, 9:00 a.m. - 7:30 p.m. ET

Canada:

Honda Canada, Inc.

180 Honda Blvd, Markham, ON L6C 0H9

or visit: www.honda.ca

Telephone: (888) 9HONDA9 Toll free

(888) 946-6329

Facsimile: (877) 939-0909 Toll free

DISTRIBUTOR'S WARRANTIES

The applicable warranty is the warranty policy in effect in the country where the warranty service is provided (see [page 14](#)).

AVOIDING FUEL-RELATED PROBLEMS

GS ENGINE POWERED PRODUCTS

When properly maintained, your Honda powered product should provide years of trouble-free operation. This includes the fuel system. However, gasoline can quickly deteriorate (in as little as 30 days) causing starting or running problems and, in some cases, damage to the fuel system. Most fuel-related problems can be avoided by following the precautions listed below. Fuel system damage and engine performance problems resulting from deteriorated gasoline are not covered by the *DISTRIBUTOR'S LIMITED WARRANTY*.

Follow These Precautions to Prevent Most Fuel-Related Problems

During the Operating Season	Reason
Do not use gasoline containing more than 10% ethanol (E10). Not all automotive gasoline is safe to use in your power product.	Higher levels of ethanol in gasoline attract water, and can corrode or damage the fuel system and cause performance problems.
Store gasoline in a clean, plastic, sealed container approved for fuel storage. Store your fuel supply container away from direct sunlight; if the container has a vent, keep it closed.	A plastic container eliminates the risk of rust and metallic contaminants from a metal container entering the fuel system. Gasoline will deteriorate faster when exposed to air and sunlight.
Purchase only enough gasoline to last for 1 to 2 months (about 30 to 60 days). If you purchase enough gasoline to last for more than 60 days, add a fuel stabilizer to your storage container when you fill it.	Gasoline deteriorates with age so try to avoid storing it for long periods, especially in summer heat. Fuel stabilizer will extend the shelf life of gasoline, but it will not reconstitute stale fuel.
Keep your product's fuel tank full of fresh fuel when not in use. Turn the fuel valve OFF.	If the fuel tank is only partially filled, air in the tank will promote fuel deterioration.
Keep the air filter clean and properly serviced. Check it before each use.	A properly maintained air filter will help prevent dirt from entering the carburetor. The small passages inside the carburetor can become blocked.

3 to 4 Weeks Before Next Use	Reason
Keep your product's fuel tank full of fresh fuel when not in use. Turn the fuel valve OFF.	If the fuel tank is only partially filled, air in the tank will promote fuel deterioration.
Turn the fuel valve to the OFF position, start the engine and let it run approximately 3 minutes until the carburetor is empty and the engine stops.	The small amount of gasoline in your engine's carburetor will deteriorate faster than the fuel in the fuel tank due to its small volume and heat from the engine.

1 to 3 Months Before Next Use	Reason
If you did not add fuel stabilizer to your fuel storage container when you filled it up, fill your product's fuel tank with fresh gasoline.	If the fuel tank is only partially filled, air in the tank will promote fuel deterioration.
Add fuel stabilizer to the product's fuel tank according to the stabilizer manufacturer's instructions.	Fuel stabilizer will extend the life of gasoline, but it will not reconstitute stale gasoline.
Run the engine outdoors for 10 minutes.	This makes sure treated gasoline has replaced untreated gasoline throughout the fuel system.
Turn the fuel valve to the OFF position, start the engine, and let it run approximately 3 minutes until the carburetor is empty and the engine stops.	The small amount of gasoline in your engine's carburetor will deteriorate faster than the fuel in the fuel tank due to its small volume and heat from the engine.

More Than 3 Months Before Next Use	Reason
Start the engine and let it run long enough to empty all the gasoline from the entire fuel system, including the fuel tank. Do not allow gasoline to remain in your product's fuel tank for more than 3 months (about 90 days) of inactivity.	All fuel stabilizers have a shelf life. It is good practice to empty the fuel system for long term inactivity.

Distributor's Limited Warranty

United States, Puerto Rico, or the U.S. Virgin Islands

The applicable warranty is the warranty policy in effect in the country where the warranty service is provided.

PRODUCTS COVERED BY THIS WARRANTY:	LENGTH OF WARRANTY: (FROM DATE OF ORIGINAL PURCHASE)	
	PRIVATE/ RESIDENTIAL ⁽¹⁾	COMMERCIAL/ RENTAL/ INSTITUTIONAL
GS Series Engines	24 months	3 months ⁽²⁾

⁽¹⁾ Private Residential: Used in maintaining owner's primary and/or secondary residence. Any other use, including but not limited to informal "for hire" use, is considered commercial/rental/institutional.

⁽²⁾ Honda GS general purpose engines are not covered by this warranty when installed on concession type vehicles.

To Qualify for this Warranty:

The Honda general purpose engine must be purchased from a Honda general purpose engine dealer or distributor authorized to sell that product in the United States, Puerto Rico, or the U.S. Virgin Islands. This limited warranty applies to first retail purchaser and each subsequent owner during the applicable warranty time period.

What American Honda Will Repair or Replace Under Warranty:

American Honda will repair or replace, at its option, any part that is proven to be defective in material or workmanship under normal use during the applicable warranty time period. Warranty repairs and replacements will be made without charge for parts or labor. Anything replaced under warranty becomes the property of American Honda Motor Co., Inc. All parts replaced under warranty will be considered as part of the original product and any warranty on those parts will expire coincident with the original product warranty.

To Obtain Warranty Service:

You must take your Honda general purpose engine, or the equipment in which it is installed, together with proof of original retail purchase date, at your expense, to a Honda engine dealer authorized to sell that product in the United States, Puerto Rico, or the U.S. Virgin Islands, during their normal business hours. To locate a dealer near you, visit our web site at engines.honda.com and click on FIND A DEALER.

If you are unable to obtain warranty service, or are dissatisfied with the warranty service you receive, take the following steps: First contact the owner of the dealership involved. Normally this should resolve the problem. However, if you should require further assistance, write or call the Power Equipment Customer Relations Department of American Honda Motor Co., Inc.

American Honda Motor Co., Inc.

Power Equipment Division
Customer Relations Dept.
4900 Marconi Drive
Alpharetta, GA 30005-8847

Or telephone: (770) 497-6400, 9:00 a.m. - 7:30 p.m. ET

Exclusions:

This engine warranty does not include the following:

- Any damage or deterioration resulting from the following:
 - Neglect of the periodic maintenance as specified in the engine owner's manual
 - Improper repair or maintenance
 - Operating methods other than those indicated in the engine owner's manual
 - Damage caused by the product on which the engine is installed
 - Damage caused by conversion to, or use of, fuel other than the fuel(s) that the engine was originally manufactured to use, as set forth in the engine owner's manual and/or warranty booklet
 - The use of non-genuine Honda parts and accessories, other than those approved by Honda (other than recommended lubricants and fluids) (does not apply to the emissions warranty unless non-genuine part used is not comparable to Honda part and was cause of the failure)
 - Exposure of the product to soot and smoke, chemical agents, bird droppings, sea water, salt or other corrosive environments
 - Collision, fuel contamination or deterioration, neglect, unauthorized alteration, or misuse
 - Natural wear and tear (natural fading of painted or plated surfaces, sheet peeling and other natural deterioration)
- American Honda is an engine supplier to original equipment manufacturers (OEMs) to power their products such as pressure washers, lawn mowers, log splitters, etc. In the case where an OEM supplies parts, including emission related parts (e.g. muffler), please refer to the OEM for warranty coverage and support.
- Consumable parts: Honda does not warrant parts deterioration due to normal wear and tear. The parts listed below are not covered by warranty (unless they are needed as a part of another warranty repair):
 - Spark plug, fuel filter, air cleaner element, clutch disc, recoil starter rope
 - Lubricant: oil and grease
- Cleaning, adjustment, and normal periodic maintenance work (carburetor cleaning and engine oil draining).
- Use of the Honda general purpose engine for racing or competition.
- Any engine that is part of a product that has ever been declared a total loss or sold for salvage by a financial institution or insurer.

Disclaimer of Consequential Damage and Limitation of Implied Warranties:

American Honda disclaims any responsibility for loss of time or use of the engine, or the equipment in which the engine is installed, transportation, commercial loss, or any other incidental or consequential damage. Any implied warranties are limited to the duration of this written limited warranty. Some states do not allow limitations on how long an implied warranty lasts and/or do not allow the exclusion or limitation of incidental or consequential damages, so the above exclusions and limitations may not apply to you. This warranty gives you specific legal rights, and you may also have other rights, which vary from state to state.

PWL50372-R

Distributor's Warranty Canada

Honda Canada Inc., 180 Honda Boulevard, Markham, Ontario for and on behalf of Honda Motor Co. Ltd., Tokyo, Japan, gives the following written warranty on each new General Purpose Engine manufactured by Honda Motor Co. Ltd., Japan, distributed in Canada by Honda Canada Inc. and sold as part of the original equipment of machinery or equipment when such machinery or equipment is manufactured in Canada. Whenever used herein, the word "Honda" refers to Honda Canada Inc. and/or Honda Motor Co. Ltd. as appropriate from the context.

Honda WARRANTS THAT each new Honda General Purpose Engine will be free, under normal use and maintenance, from any defects in material or workmanship for the relevant warranty period set forth below. If any defects should be found in a Honda General Purpose Engine within the relevant warranty period, necessary repairs and replacements with a new part or the Honda equivalent shall be made at no cost to the consumer for parts and labour (except for labour charges due to the presence of an attachment), when Honda acknowledges that such defects are attributable to faulty material or workmanship at the time of manufacture.

WARRANTY PERIOD

Warranty coverage commences from the original date of sale or when the unit is first put into use as a demonstrator. The following warranty applies to General Purpose Engines purchased at retail or placed into rental service on or after August 1, 2011.

MODEL	NON-COMMERCIAL	COMMERCIAL	RENTAL	CONCESSION
GS160 GS190	24 months	3 months	3 months	NONE

NOTE: Concession use refers to Go Karts, etc.

THIS WARRANTY COVERS:

- Any Honda General Purpose Engine purchased from a Honda general purpose engine dealer or distributor authorized to sell that product in Canada.
- Any factory installed part (except normal maintenance parts referred to in "THIS WARRANTY DOES NOT COVER"); and
- Any General Purpose Engine on which required maintenance services have been performed as prescribed in the Owner's Manual.

THIS WARRANTY DOES NOT INCLUDE THE FOLLOWING:

- Any damage or deterioration resulting from the following:
 - Neglect of the periodic maintenance as specified in the engine owner's manual
 - Improper repair or maintenance
 - Operating methods other than those indicated in the engine owner's manual
 - Damage caused by the product on which the engine is installed
 - Damage caused by conversion to, or use of, fuel other than the fuel(s) that the engine was originally manufactured to use, as set forth in the engine owner's manual and/or warranty booklet
 - The use of non-genuine Honda parts and accessories, other than those approved by Honda (other than recommended lubricants and fluids) (does not apply to the emissions warranty unless non-genuine part used is not comparable to Honda part and was cause of the failure)
 - Exposure of the product to soot and smoke, chemical agents, bird droppings, sea water, salt or other corrosive environments
 - Collision, fuel contamination or deterioration, neglect, unauthorized alteration, or misuse
 - Natural wear and tear (natural fading of painted or plated surfaces, sheet peeling and other natural deterioration)
- Consumable parts: Honda does not warrant parts deterioration due to normal wear and tear. The parts listed below are not covered by warranty (unless they are needed as a part of another warranty repair):
 - Spark plug, fuel filter, air cleaner element, clutch disc, recoil starter rope
 - Lubricant: oil and grease
- Cleaning, adjustment, and normal periodic maintenance work (carburetor cleaning and engine oil draining).
- Use of the Honda general purpose engine for racing or competition.

- Any engine that is part of a product that has ever been declared a total loss or sold for salvage by a financial institution or insurer.

THE OWNER'S OBLIGATION

In order to maintain the validity of this *DISTRIBUTOR'S WARRANTY*, the required maintenance services as set forth in the Owner's Manual must be performed at the proper intervals and detailed receipts and records retained as proof.

TO OBTAIN WARRANTY SERVICE

You must take your Honda General Purpose Engine, at your expense, during normal service hours, to the authorized Honda Power Products dealer or the dealer designated by the manufacturer of the machinery or equipment powered by the Honda engine. If you are unable to obtain or are dissatisfied with the warranty service you receive, first contact the owner of the dealership involved; this should resolve the problem. If you require further assistance, contact Honda Canada Inc., at the address shown under *Customer Service Information* (page 12).

REPLACEMENT PARTS WARRANTY

New Honda Genuine replacement parts sold to a consumer or installed by an authorized Honda power equipment dealer which are not covered by the *DISTRIBUTOR'S WARRANTY* are warranted for a period of one year from date of purchase for normal use, or 3 months for rental or concession use provided, however, that this Replacement Parts Warranty does not apply to any replacement parts modified, used with, or installed on a power product for which the replacement parts were not intended. Electrical components that are not installed by the dealer (sold over the counter) are not covered by warranty.

ENTIRE WRITTEN WARRANTY

This *DISTRIBUTOR'S WARRANTY* is the only and the entire written warranty given by Honda for Honda General Purpose Engines. No dealer or his agent or employee is authorized to extend or enlarge on these warranties on behalf of Honda by any written or verbal statement or advertisement.

DISCLAIMER

To the extent the law permits, Honda disclaims any responsibility for loss of time or use of the General Purpose Engine, transportation or towing costs or any other indirect, incidental or consequential damage, inconvenience or commercial loss.

NOTICE TO CONSUMER

The provisions contained in these written warranties are not intended to limit, modify, take away from, disclaim or exclude any warranties set forth in or the operation of The Consumer Products Warranties Act, 1977 (Saskatchewan), The Consumer Product Warranty and Liability Act (New Brunswick), The Consumer Protection Act (Quebec), or any other similar provincial or federal legislation.

PRIVACY STATEMENT

The owner information submitted may be used by Honda and its related companies, their dealers and service providers to communicate marketing, product and service information to you. If you prefer not to receive marketing information, please contact us at 1-888-946-6329.

International Warranty

See last pages.

EMISSION CONTROL SYSTEM WARRANTY

Your new Honda Power Equipment engine complies with the U.S. EPA, Environment Canada, and State of California (models certified for sale in California only) emission regulations. American Honda Motor Co., Inc. provides the emission warranty coverage for engines in the United States and its territories. Honda Canada Inc. provides the emission warranty for engines in the 13 provinces and territories of Canada. In the remainder of this Emission Control System Warranty, American Honda Motor Co., Inc. and Honda Canada Inc. will be referred to as Honda.

CALIFORNIA EXHAUST AND EVAPORATIVE EMISSIONS CONTROL WARRANTY STATEMENT

YOUR WARRANTY RIGHTS AND OBLIGATIONS

The California Air Resources Board and Honda are pleased to explain the exhaust and evaporative emissions ("emissions") control system warranty on your 2021 and later Honda Power Equipment engine. In California, new equipment that use small off-road engines must be designed, built, and equipped to meet the State's stringent anti-smog standards. Honda will warrant the emissions control system on your power equipment engine for the periods of time listed below provided there has been no abuse, neglect, or improper maintenance of your small off-road engine or equipment leading to the failure of the emissions control system.

Your emissions control system may include parts such as the carburetor or fuel-injection system, the ignition system, catalytic converter, fuel tanks, fuel lines (for liquid fuel and fuel vapors), fuel caps, valves, canisters, filters, clamps and other associated components. Also included may be hoses, belts, connectors, and other emission-related assemblies (see adjacent table for additional covered parts).

Where a warrantable condition exists, Honda will repair your power equipment engine at no cost to you including diagnosis, parts and labor.

MANUFACTURER'S WARRANTY COVERAGE:

The exhaust and evaporative emissions control system on your Honda power equipment engine is warranted for two years. If any emissions-related part on your Honda power equipment engine is defective, the part will be repaired or replaced by Honda.

OWNER'S WARRANTY RESPONSIBILITY:

- As the power equipment engine owner, you are responsible for the performance of the required maintenance listed in your owner's manual. Honda recommends that you retain all receipts covering maintenance on your power equipment engine, but Honda cannot deny warranty coverage solely for the lack of receipts or for your failure to ensure the performance of all scheduled maintenance.
- As the power equipment engine owner, you should however be aware that Honda may deny you warranty coverage if your power equipment engine or a part has failed due to abuse, neglect, improper maintenance, or unapproved modifications.
- You are responsible for presenting your power equipment engine to a Honda Power Equipment servicing dealer as soon as the problem exists. The warranty repairs shall be completed in a reasonable amount of time, not to exceed 30 days.

If you have any questions regarding your warranty rights and responsibilities, you should contact the Honda Office in your region:

American Honda Motor Co., Inc. Power Equipment Customer Relations 4900 Marconi Drive Alpharetta, Georgia 30005-8847 Telephone: (888) 888-3139 Email: powerequipmentemissions@ahm.honda.com	or	Honda Canada Inc. Power Equipment Customer Relations 180 Honda Blvd. Markham, ON, L6C, 0H9 Telephone: (888) 946-6329
--	----	---

YOUR WARRANTY RIGHTS AND OBLIGATIONS

Other States, U.S. territories, and Canada:

In other areas of the United States and in Canada, your engine must be designed, built, and equipped to meet the U.S. EPA and Environment Canada emission standards for spark-ignited engines at or below 19 kilowatts.

Specific Honda products that do not meet the California emissions regulations can be identified by a "California: Not for sale or use" or "California: Only for use in Farming or Construction Equipment" decal.

All of the United States and Canada:

The exhaust and evaporative emissions control system on your Honda power equipment engine sold in the United States and Canada is warranted for two years from the date of delivery to the ultimate purchaser or the length of the Honda Distributor's Limited Warranty, whichever is longer. This warranty is transferable to each subsequent purchaser for the duration of the warranty period.

If any emissions-related part on your Honda power equipment engine is defective, the part will be repaired or replaced by Honda. All defective parts

replaced under this warranty become the property of Honda. Only Honda approved replacement parts may be used in the performance of any warranty repairs and must be provided without charge to the owner. A list of warranted parts is on the reverse side of this warranty statement. All emission related parts are under warranty for the remainder of the warranty period. Normal maintenance items, such as spark plugs and filters, that are on the warranted parts list are warranted up to their required replacement interval only.

Honda will also replace other engine components damaged by a failure of any warranted part during the warranty period. Honda cannot deny coverage under the emission warranty solely for use of non-Honda replacement parts or service performed at a location other than an authorized Honda dealership; however, use of a part that is not functionally identical to the original equipment part in any respect that may in any way affect emissions (including durability) could result in denial of coverage. If such a non-Honda replacement part is used in the repair or maintenance of your engine, and an authorized Honda dealer determines it is defective or causes a failure of a warranted part, your claim for repair of your engine may be denied. If the part in question is not related to the reason your engine requires repair, your claim will not be denied.

TO OBTAIN WARRANTY SERVICE:

You must, at your own expense, take your Honda Power Equipment engine or the product on which it is installed, along with your sales registration card or other proof of original purchase date, to any Honda Power Equipment dealer who is authorized by Honda to sell and service that Honda product during their normal business hours. Claims for repair or adjustment found to be caused solely by defects in material or workmanship will not be denied because the engine was not properly maintained and used.

If you are unable to obtain emission warranty service or are dissatisfied with the warranty service you received, contact the owner of the dealership involved. Normally this should resolve your problem. However, if you require further assistance, contact the Honda office in your region. Refer to adjacent column for contact information.

EXCLUSIONS:

Failures other than those resulting from defects in material or workmanship are not covered by this warranty. This warranty does not extend to emission control systems or parts that are affected or damaged by owner abuse, neglect, improper maintenance, or unapproved modifications.

This warranty does not cover replacement of expendable maintenance items made in connection with required maintenance service after the item's first scheduled replacement as listed in the maintenance section of the product owner's manual, such as: spark plugs and filters.

DISCLAIMER OF CONSEQUENTIAL DAMAGE AND LIMITATION OF IMPLIED WARRANTIES:

American Honda Motor Co., Inc. and Honda Canada Inc. disclaim any responsibility for incidental or consequential damages such as loss of time or the use of the power equipment, or any commercial loss due to the failure of the equipment; and any implied warranties are limited to the duration of this written warranty. This warranty is applicable only where the California, U.S. EPA, or Environment Canada emission control system warranty regulation is in effect.

EMISSION CONTROL SYSTEM WARRANTY PARTS:

SYSTEMS COVERED BY THIS WARRANTY:	PARTS DESCRIPTION:
Fuel Metering	Carburetor assembly (includes starting enrichment system), Oxygen sensor, Throttle body, Engine temperature sensor, Engine control module, Fuel injector, Fuel regulator, Intake manifold
Evaporative	Fuel tank, Fuel cap, Fuel lines (for liquid and fuel vapors), Carbon canister, Canister mounting brackets, Fuel line fittings, Fuel strainer, Fuel valve, Fuel pump, Fuel hose joint, Canister purge port connector
Exhaust	Catalyst, Exhaust pipe, Muffler (with catalyst), Exhaust manifold
Air Induction	Air cleaner case, Air cleaner element*
Ignition	Flywheel comp., Flywheel magneto, Ignition pulse generator, Crankshaft position sensor, Power coil, Ignition coil assembly, Ignition control module, Spark plug cap, Spark plug*
Crankcase Emission Control	Crankcase breather tube, Breather valve assembly, Oil filler cap
Miscellaneous Parts	Tubing, fittings, seals, gaskets, and clamps associated with these listed systems

* Covered up to the first required replacement only. See the MAINTENANCE SCHEDULE on page 6.

PWL50975-V

MANUEL DE L'UTILISATEUR GS160 • GS190



⚠ ATTENTION

L'essence est très inflammable et explosive.
Arrêter le moteur et le laisser refroidir avant de faire le plein d'essence.

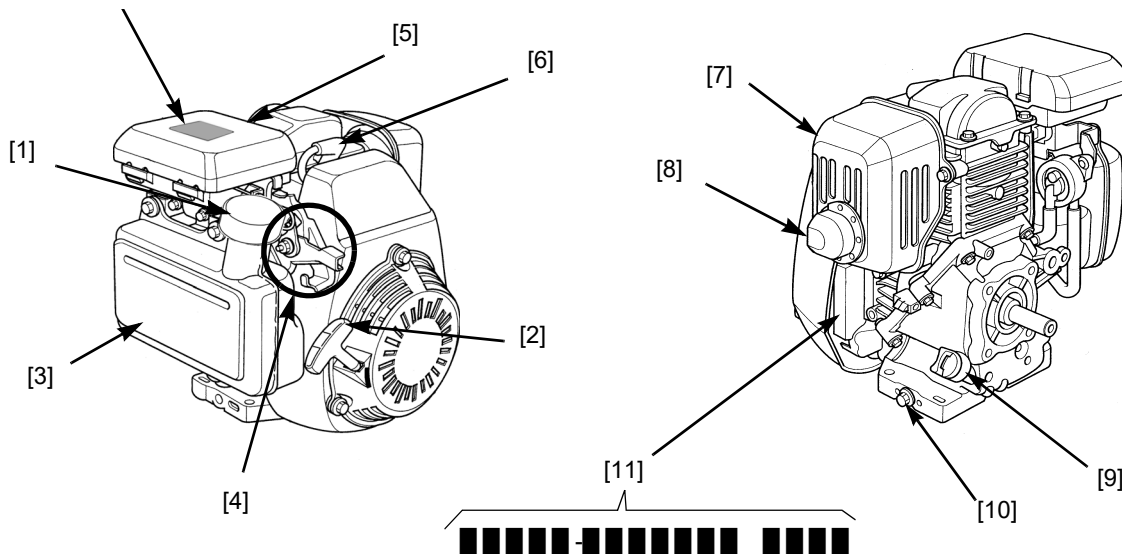
Le moteur produit les vapeurs nocives de monoxyde de carbone.
Ne pas utiliser dans un local clos.

Lire le manuel de propriétaire avant l'utilisation.

Honda Motor Co., Ltd.

⚠ AVERTISSEMENT: ⚠

Les gaz d'échappement du moteur contiennent des produits chimiques reconnus par l'État de la Californie comme pouvant entraîner le cancer, des malformations à la naissance et autres dangers liés à la reproduction.



EMPLACEMENT DES COMPOSANTS

1	Bouchon de remplissage d'essence
2	Poignée de démarreur
3	Réservoir d'essence
4	Zone de commande moteur*
5	Filtre à air
6	Bougie d'allumage

7	Silencieux
8	Défecteur silencieux (optional)
9	Bouchon de remplissage et jauge d'huile
10	Boulon de vidange d'huile
11	Numéro de série du moteur

* Les commandes dépendent du type de moteur. Se reporter aux schémas individuels sur page 2 pour déterminer quel type de commande moteur considérer lors de la lecture de la section *Fonctionnement* et d'autres sections de ce manuel.

INTRODUCTION

Merci d'avoir acheté un moteur Honda. Ce manuel vous aidera à obtenir les meilleurs résultats de votre nouveau moteur et à l'utiliser sans danger. Il contient tous les renseignements nécessaires ; veuillez le lire attentivement avant de faire fonctionner le moteur. En cas de problème ou pour toute question concernant votre moteur, veuillez consulter un concessionnaire Honda.

Toute l'information contenue dans ce document est basée sur les données les plus récentes au moment de l'impression. American Honda Motor Co., Inc. se réserve le droit d'apporter des modifications à tout moment sans préavis ni obligation. Toute reproduction, même partielle, de ce document est interdite sans autorisation écrite.

Ce manuel fait partie intégrante du moteur et doit l'accompagner en cas de revente.


Pour tout renseignement supplémentaire concernant le démarrage, l'arrêt, le fonctionnement, les réglages ou toute opération d'entretien particulière du moteur, veuillez consulter les instructions fournies avec le matériel entraîné par ce moteur.

TABLE DES MATIÈRES

MESSAGES DE SÉCURITÉ	18
CONTRÔLES AVANT UTILISATION	18
FONCTIONNEMENT	19
MESURES DE PRÉCAUTION	19
DÉMARRAGE/ARRÊT DU MOTEUR (TOUS LES TYPES)	19
L'ENTRETIEN DE VOTRE MOTEUR	20
ENTRETIEN SÉCURITAIRE	20
CALENDRIER D'ENTRETIEN	20
REPLISSAGE DU RÉSERVOIR D'ESSENCE	21
HUILE-MOTEUR	21
FILTRE À AIR	22
BOUGIE	22
PARE-ÉTINCELLES (OPTIONNEL)	23
REMISAGE DE VOTRE MOTEUR	23
TRANSPORT	24
RÉGLER DES PROBLÈMES IMPRÉVUS	24
INFORMATIONS TECHNIQUES	24
INFORMATION DU CONSOMMATEUR	26
GARANTIE DU DISTRIBUTEUR	28

MESSAGES DE SÉCURITÉ

Votre sécurité et celle des autres est très importante. Vous trouverez des messages de sécurité importants dans ce manuel et sur le moteur. Veuillez les lire avec attention.

Les messages de sécurité vous mettent en garde contre les dangers présentés par le moteur. Chacun de ces messages est précédé du symbole de mise en garde  et de l'intitulé DANGER, AVERTISSEMENT ou ATTENTION.

Ces intitulés signifient :

DANGER

Vous SEREZ TUE ou GRAVEMENT BLESSE si vous ne respectez pas ces instructions.

AVERTISSEMENT

Vous RISQUEZ d'être TUE ou GRAVEMENT BLESSE si vous ne respectez pas ces instructions.

ATTENTION

Vous RISQUEZ d'être BLESSE si vous ne respectez pas ces instructions.

Chaque message indique quel est le danger, ce qui peut se produire et ce qui peut être fait pour éliminer ou réduire le risque de blessures.

MESSAGES DE PRÉVENTION DES DOMMAGES

Vous rencontrerez également d'autres messages importants précédés de l'intitulé AVIS. Ce terme signifie :

AVIS

Risque de dommages matériels du moteur et autres si les instructions ne sont pas respectées.

L'objet de ces messages est d'écarter les risques de dommages du moteur, d'autres matériels et pour l'environnement.

INFORMATION CONCERNANT LA SÉCURITÉ

- Veuillez à comprendre le fonctionnement de toutes les commandes et à apprendre comment éteindre le moteur rapidement en cas d'urgence. Assurez-vous que le conducteur reçoive les instructions nécessaires avant d'utiliser le matériel.
- Ne pas autoriser des enfants à utiliser le moteur. Eloigner les enfants et les animaux de la zone d'utilisation.
- Les gaz d'échappement du moteur contiennent du monoxyde de carbone toxique. Ne faites pas fonctionner le moteur sans ventilation appropriée et jamais à l'intérieur.
- Le moteur et son échappement sont très chauds durant la marche. Maintenez le moteur à 1 mètre minimum des bâtiments et autres équipements durant la marche. Tenez les matières inflammables à l'écart et ne placez rien sur le moteur durant la marche.

EMPLACEMENT DE L'ÉTIQUETTE DE SÉCURITÉ

Cette étiquette met en garde contre les risques potentiels de blessures graves. La lire attentivement. Voir [page 17](#).

Si l'étiquette se décolle ou devient illisible, s'adresser au concessionnaire d'entretien Honda pour son remplacement.

CONTRÔLES AVANT UTILISATION

LE MOTEUR EST-IL PRÊT À FONCTIONNER ?

Pour des raisons de sécurité, pour assurer la conformité avec la réglementation environnementale, et pour assurer une durée de service optimale du matériel, il est très important de consacrer quelques instants au contrôle de l'état du moteur avant de l'utiliser. Veiller à régler tout problème identifié, ou à le faire corriger par un réparateur, avant de faire fonctionner le moteur.

AVERTISSEMENT

Un entretien inadéquat du moteur ou l'existence de problèmes non résolus avant la mise en marche peuvent entraîner un mauvais fonctionnement pouvant présenter un danger de blessure grave ou de mort.

Toujours effectuer un contrôle préalablement à chaque utilisation et corriger tout problème éventuel.

Avant de débiter les contrôles, s'assurer que le moteur est horizontal et que le levier du frein de volant levier de papillon, bouton d'arrêt du moteur est en position STOP ou ARRÊT.

Toujours effectuer les contrôles suivants avant de démarrer le moteur:

1. Niveau d'essence ([page 21](#)).
2. Niveau d'huile ([page 21](#)).

Le système Oil Alert® (le cas échéant) permet d'arrêter automatiquement le moteur lorsque le niveau d'huile chute sous la limite sécuritaire. Toutefois, afin d'éviter l'arrêt inattendu du moteur, vérifiez toujours le niveau d'huile avant de mettre le moteur en marche.

3. Filtre à air ([page 22](#)).
4. Contrôle général : Vérifier l'absence de fuites et le bon serrage et l'état des pièces.
5. Contrôler le matériel entraîné par le moteur.

Respecter toutes les précaution et procédures à suivre avant le démarrage du moteur figurant dans le mode d'emploi du matériel entraîné par le moteur.

FONCTIONNEMENT

MESURES DE PRÉCAUTION

Avant de mettre le moteur en marche pour la première fois, consulter la section *MESSAGES DE SÉCURITÉ* et *CONTRÔLES AVANT UTILISATION* à la [page 18](#).

Par mesure de sécurité, ne pas faire fonctionner le moteur à essence dans un endroit clos comme un garage. L'échappement du moteur contient du monoxyde de carbone, un gaz toxique qui peut s'accumuler rapidement dans un endroit clos et causer des blessures ou la mort.

⚠ AVERTISSEMENT

Les gaz d'échappement contiennent du monoxyde de carbone, un gaz toxique qui peut s'accumuler jusqu'à devenir dangereux dans les endroits clos. L'inhalation de monoxyde de carbone peut provoquer des pertes de conscience et peut être mortelle. Ne jamais faire fonctionner le moteur dans un endroit clos ou ne serait-ce qu'en partie clos dans lequel des personnes sont susceptibles d'être présentes.

Respecter toutes les mesures de précaution indiquées dans le mode d'emploi du matériel entraîné concernant le démarrage, l'arrêt et le fonctionnement du moteur.

Ne pas faire fonctionner le moteur sur des pentes dont l'inclinaison est supérieure à 20°.

FRÉQUENCE D'UTILISATION

Si votre équipement doit être utilisé seulement à l'occasion ou de façon intermittente (plus de 4 semaines entre chaque tonte), veuillez vous référer à la section portant sur le *Essence* du chapitre *STOCKAGE DU MOTEUR* ([page 23](#)) pour obtenir plus de détails sur la détérioration du carburant.

DÉMARRAGE/ARRÊT DU MOTEUR (TOUS LES TYPES)

Voir les Figures 2 .

- **Starter Manuel:** Placer la levier de starter [2] soit en position FERMÉE (CLOSED) (moteur froid).
Si la tige d'étrangleur était en position FERMÉE pour mettre le moteur en marche, poussez-la en position OUVERTE (OPEN) dès que le moteur se réchauffe.
- **Moteur:** Pour obtenir un fonctionnement optimal du moteur, il est conseillé de l'utiliser avec le papillon en position RAPIDE (FAST) (ou régime élevé).
- **Poignée du Démarreur:** Tirer légèrement la poignée du démarreur jusqu'à rencontrer une résistance, puis tirer vigoureusement.

AVIS

Ne pas lâcher la poignée et la laisser revenir violemment contre le moteur. La ramener doucement pour éviter d'endommager le démarreur.

SYSTÈME OIL ALERT® (TYPES DE MOTEURS APPLICABLE)

Le système Oil Alert a été conçu pour prévenir les dommages de moteur causés par une quantité insuffisante d'huile dans le carter. Avant que le niveau d'huile dans le carter ne chute sous la limite sécuritaire, le système Oil Alert arrête automatiquement le moteur [le levier des gaz (levier de commande d'allumage) demeure en position de marche].

Si le moteur arrête et ne redémarre pas, vérifiez le niveau d'huile ([page 21](#)) avant de procéder à d'autres vérifications.

Type 1: Étrangleur Manuel, Accélérateur Manuel

DÉMARRAGE DU MOTEUR

1. Tirez sur la tige d'étrangleur [1] et placez-la en position FERMÉE (CLOSED) (moteur froid) (Voir la Figure 1, [page 2](#)).
2. Déplacez le levier des gaz [2] (gris) de la position LENTE (SLOW) d'environ 1/3 de la distance en direction de la position RAPIDE (FAST) (Voir la Figure 2, [page 2](#)).

Certains moteurs sont équipés d'un levier des gaz à commande à distance plutôt que d'un levier des gaz monté sur le moteur comme le montre l'illustration.

3. Tirez légèrement sur la poignée de démarrage jusqu'à ce que le câble offre une certaine résistance, puis tirez vigoureusement sur la poignée.
4. Si la tige d'étrangleur était en position FERMÉE (CLOSED) pour mettre le moteur en marche, poussez-la en position OUVERTE (OPEN) dès que le moteur se réchauffe.
5. Placez le levier des gaz (gris) au régime désiré. Pour un rendement optimal.

ARRÊT DU MOTEUR

1. Placez le levier des gaz (gris) en position LENTE (SLOW).
2. Laissez le moteur tourner au ralenti quelques secondes, puis placez le levier des gaz en position D'ARRÊT (OFF).

Type 2: Étrangleur Manuel, Levier De Commande D'allumage, Accélérateur Fixe

DÉMARRAGE DU MOTEUR

1. Tirez sur la tige d'étrangleur [1] et placez-la en position FERMÉE (CLOSED) (moteur froid) (Voir la Figure 1, [page 2](#)).
2. Déplacez le levier de commande d'allumage (rouge) en position de MARCHÉ (ON) (Voir la Figure 4, [page 2](#)).

Certains moteurs sont équipés d'un levier des gaz à commande à distance plutôt que d'un levier des gaz monté sur le moteur comme le montre l'illustration.

3. Tirez légèrement sur la poignée de démarrage jusqu'à ce que le câble offre une certaine résistance, puis tirez vigoureusement sur la poignée.
4. Si la tige d'étrangleur était en position FERMÉE (CLOSED) pour mettre le moteur en marche, poussez-la en position OUVERTE (OPEN) dès que le moteur se réchauffe.

Le régime du moteur est pré-réglé sur ce type de moteur.

ARRÊT DU MOTEUR

Déplacez le levier de commande d'allumage (rouge) en position D'ARRÊT (OFF) (Voir la Figure 5, [page 2](#)).

Type 3: Étrangleur Manuel, Interrupteur D'arrêt Du Moteur, Accélérateur Fixe

Certaines applications du moteur utilisant une commande à distance une interrupteur d'arrêt du moteur plutôt que le interrupteur d'arrêt du moteur représente ici. Consulter les instructions fournies par le fabricant de l'équipement.

DÉMARRAGE DU MOTEUR

1. Tirez sur la tige d'étrangleur [1] et placez-la en position FERMÉE (CLOSED) (moteur froid) (Voir la Figure 1, [page 2](#)).
2. Placez l'interrupteur d'arrêt du moteur en position de MARCHÉ (ON) (Voir la Figure 6, [page 2](#)).
3. Tirez légèrement sur la poignée de démarrage jusqu'à ce que le câble offre une certaine résistance, puis tirez vigoureusement sur la poignée.

4. Si la tige d'étrangleur était en position FERMÉE (CLOSED) pour mettre le moteur en marche, poussez-la en position OUVERTE (OPEN) dès que le moteur se réchauffe.

Le régime du moteur est pré-réglé sur ce type de moteur.

ARRÊT DU MOTEUR

Déplacez l'interrupteur d'arrêt du moteur en position D'ARRÊT (OFF) (Voir la Figure 6, [page 2](#)).

L'ENTRETIEN DE VOTRE MOTEUR

L'IMPORTANCE DE L'ENTRETIEN

L'entretien adéquat de votre moteur est essentiel pour garantir un bon fonctionnement sécuritaire et économique, sans compter qu'il permet de diminuer considérablement la pollution.

⚠ AVERTISSEMENT

L'entretien inadéquat du moteur ou le défaut de réparer le moteur avant son utilisation peut entraîner des défaillances pouvant causer de graves blessures et même mettre votre vie en danger.

Toujours observer les recommandations concernant l'inspection et l'entretien périodique contenues dans le présent manuel de l'utilisateur.

Afin de vous aider à effectuer l'entretien adéquat de votre moteur, les pages qui suivent comprennent un calendrier d'entretien, des procédures d'inspection de routine ainsi que des procédures d'entretien faciles ne requérant que de simples outils à main. Par ailleurs, les services d'entretien plus complexes, ou ceux qui requièrent un outillage spécialisé, devraient être effectués par des professionnels, en l'occurrence par un technicien Honda ou tout technicien qualifié.

Le calendrier d'entretien a été conçu en fonction d'une utilisation normale. Si votre moteur est utilisé de façon inhabituelle, par exemple pour un usage intensif ou à haute température, ou encore dans un environnement humide ou sec, consultez votre concessionnaire afin de connaître les recommandations qui s'appliquent dans votre cas. Rappelez-vous que votre concessionnaire est le mieux qualifié et qu'il dispose de l'équipement approprié pour effectuer l'entretien et la réparation de votre moteur.

Rappelez-vous que votre concessionnaire est le mieux qualifié et qu'il dispose de l'équipement approprié pour effectuer l'entretien et la réparation de votre moteur.

Pour garantir la qualité et la fiabilité de votre moteur, utilisez toujours des pièces neuves d'origine Honda, ou équivalentes, pour effectuer toute réparation et tout remplacement.

L'entretien, le remplacement et la réparation des dispositifs et des systèmes antipollution peuvent être effectués par tout atelier et toute personne qualifiés en utilisant des pièces certifiées conformes aux normes de l'EPA.

ENTRETIEN SÉCURITAIRE

Les principales consignes de sécurité sur l'entretien sont présentées ci-après. Toutefois, il nous est impossible de prévoir tous les incidents possibles pouvant être liés à l'entretien de votre moteur.

Vous seul êtes en mesure de savoir si vous pouvez ou non effectuer les différents travaux.

⚠ AVERTISSEMENT

Le non-respect des recommandations d'entretien et des consignes de sécurité peut causer de graves blessures et entraîner la mort.

Toujours observer les procédures et les consignes de sécurité contenues dans le présent manuel de l'utilisateur.

CONSIGNES DE SÉCURITÉ

- S'assurer que le moteur est à l'arrêt avant de procéder à un entretien ou à une réparation afin de réduire les risques de dommages ou de blessures.
 - **Le tuyau d'échappement émet du monoxyde de carbone.** S'assurer de faire fonctionner le moteur dans un endroit bien aéré.
 - **Les pièces chaudes peuvent causer des brûlures.** Laisser le moteur et le tuyau d'échappement refroidir avant d'y toucher.
 - **Les pièces mobiles peuvent causer des blessures.** Ne pas mettre le moteur en marche, à moins que les procédures ne le recommandent.
- Lire les instructions avant l'utilisation et s'assurer de posséder les outils et les qualifications requises.
- Pour réduire les risques d'incendie et d'explosion, procédez avec précaution lors de travaux effectués en présence d'essence. Utilisez uniquement du solvant ininflammable, et non de l'essence, pour nettoyer les pièces. Ne fumez pas, et conservez l'essence à bonne distance des étincelles et des flammes.

CALENDRIER D'ENTRETIEN

Effectuer l'entretien suivant le mois ou le nombre d'heures de fonctionnement indiqués, selon la première éventualité. ⁽¹⁾

Entretien Régulier	Élément	Page
À chaque utilisation	Vérification: Huile Vérification: Filtre à air	page 21 page 22
1er mois ou tous les 5 heures	Remplacement: Huile	page 22
Tous les 3 mois ou toutes les 25 heures	Nettoyage: Filtre à air ⁽²⁾	page 22
Tous les 6 mois ou toutes les 50 heures	Remplacement: Huile ⁽³⁾ Nettoyage: Filtre à air ⁽²⁾	page 22 page 22
Chaque année ou toutes les 100 heures	6 articles mois plus : Vérification et réglage: Bougie Nettoyage: Pare-étincelles (optionnel) Vérification et réglage: Ralenti ⁽⁴⁾ Nettoyage: Réservoir d'essence et filtre ⁽⁴⁾ Vérification et réglage: Jeu de la soupape ⁽⁴⁾	page 22 page 23
Tous les 2 ans ou toutes les 200 heures	articles Annuel plus: Remplacement: Filtre à air Remplacement: Bougie	page 22 page 22

Entretien Régulier	Élément	Page
Tous les 2 ans	Vérification: Conduit d'essence ⁽⁴⁾ (remplacer au besoin)	

- (1) Procéder à des entretiens plus fréquents lorsque le moteur fonctionne dans un environnement humide ou poussiéreux.
- (2) Dans les milieux poussiéreux, effectuer un entretien plus fréquent.
- (3) Vidanger l'huile toutes les 25 heures de fonctionnement intensif ou dans un environnement où la température ambiante est élevée.
- (4) L'entretien de ces éléments devrait être effectué par un concessionnaire de moteur Honda agréé, à moins que vous ne possédiez la formation et les outils appropriés. Reportez-vous au manuel d'atelier Honda pour connaître les procédures d'entretien. Voir "Publications Honda" la page 26.

L'inobservation de ce programme d'entretien peut entraîner des problèmes non couverts par la garantie.

REPLISSAGE DU RÉSERVOIR D'ESSENCE

Ce moteur est certifié pour fonctionner à l'essence sans plomb avec un indice d'octane minimal de 86.

Il est recommandé de refaire le plein d'essence après chaque utilisation pour réduire la présence d'air dans le réservoir.

Faites le plein dans un endroit bien aéré avec le moteur coupé. Si le moteur est déjà chaud, attendez qu'il refroidisse. Ne faites jamais le plein d'essence dans un local mal ventilé ou les vapeurs pourraient s'accumuler et entrer en contact avec une flamme ou une étincelle.

Vous pouvez utiliser de l'essence sans plomb contenant 10% d'éthanol maximum (E10) ou 5% de méthanol par volume. En outre, le méthanol doit contenir des cosolvants ainsi que des inhibiteurs de corrosion. Si vous utilisez du carburant dont la teneur en éthanol ou méthanol est supérieure aux spécifications stipulées ci-dessus, le démarrage et/ou la performance risquent d'être affectés. En outre, les pièces métalliques, en caoutchouc et en plastique du circuit de carburant pourraient subir des dommages. De plus, l'éthanol est hygroscopique, c'est-à-dire qu'il attire et retient l'eau présente dans le système d'alimentation en carburant. Les dommages au moteur ou problèmes de performance provenant d'un carburant aux pourcentages d'éthanol ou de méthanol supérieurs à ceux stipulés ci-dessus ne sont pas couverts par la garantie.

Si votre matériel est destiné à être utilisé peu fréquemment ou par périodes, (plus de 4 semaines entre chaque tonte) merci de consulter le paragraphe sur le *Essence* du chapitre STOCKAGE (page 23) pour en savoir plus sur le risque de dégradation du carburant.

Ne jamais utiliser d'essence viciée ou contaminée ni de mélange huile-essence. Éviter d'introduire de la saleté ou de l'eau dans le réservoir.

⚠ AVERTISSEMENT

L'essence est hautement inflammable et explosive et le remplissage du réservoir présente un risque de brûlure ou de blessure grave.

- Arrêter le moteur et tenir la chaleur, les étincelles et les flammes à l'écart.
- Remplir le réservoir à l'extérieur uniquement.
- Essuyer immédiatement les déversements.

Ajout de Carburant

Voir la Figure 7, page 3.

1. Retirez le bouchon de remplissage d'essence.
2. Remplissez le réservoir d'essence jusqu'au bas du repère de remplissage maximal du réservoir. Ne pas remplir le réservoir au-delà du repère maximal [1]. Essuyez les déversements d'essence avant de mettre le moteur en marche.
3. Une fois que le plein est fait, serrez le capuchon du réservoir d'essence.

Eloignez-vous d'au moins 3 m de toute source de carburant et site de remplissage avant de mettre le moteur en marche.

AVIS

L'essence peut endommager la peinture et certains plastiques. User de prudence pour refaire le plein afin de ne pas provoquer de déversement d'essence. Les dommages causés par les déversements d'essence ne sont pas couverts par la GARANTIE DU DISTRIBUTEUR.

Contenant d'Entreposage du Carburant

Entreposez l'essence dans un contenant en plastique scellé et propre approuvé pour l'entreposage du carburant. Fermez l'évent (le cas échéant) lorsqu'il n'est pas utilisé, et n'exposez pas le contenant aux rayons du soleil pendant l'entreposage. Si votre contenant d'entreposage permet d'approvisionner votre tondeuse en carburant pendant plus de 3 mois, nous vous suggérons d'ajouter un stabilisateur de carburant au moment de remplir votre contenant.

HUILE-MOTEUR

L'huile est un facteur déterminant pour la performance et la durée de service. Toujours changer l'huile en conformité avec le calendrier d'entretien (page 20)..

Huile recommandée

Voir la Figure 8, page 3.

Utilisez une huile pour moteur à 4 temps qui répond aux normes API Service de catégories SJ ou équivalente. Vérifiez toujours l'étiquette API sur le contenant d'huile afin de vous assurer que les lettres SJ ou l'équivalent y sont inscrites.

L'huile SAE 10W30 est recommandée pour un usage général. D'autres types d'huile figurant au tableau ci-contre et ayant une viscosité différente peuvent être utilisés lorsque les températures moyennes dans votre région se situent à l'intérieur des gammes illustrées.

Vérification du niveau d'huile

Voir la Figure 8, page 3.

1. Vérifiez le niveau d'huile lorsque le moteur est arrêté et en vous assurant qu'il repose sur une surface plane.
2. Retirez le bouchon de remplissage et la jauge [1], puis essuyez la jauge.
3. Insérez le bouchon de remplissage et la jauge [1] dans le goulot de remplissage sans les visser et retirez-les pour faire la lecture du niveau d'huile.
4. Si le niveau d'huile est inférieur au repère de remplissage minimal [2] de la jauge, et faites l'appoint jusqu'au repère de remplissage maximal [3] (bord inférieur de l'orifice de remplissage). Ne pas trop remplir.
5. Remettez le bouchon de remplissage et la jauge [1] en place.

Vidange d'huile

Voir la Figure 9, page 3.

Vidangez l'huile lorsque le moteur est encore chaud afin de permettre une vidange rapide et complète.

1. Placez un contenant approprié sous le bouchon (boulon) de vidange afin de récupérer l'huile usée.
2. Retirez le bouchon de remplissage et la jauge [1] ainsi que le bouchon de vidange [2] et la rondelle [3].
3. Laissez l'huile se vidanger entièrement, puis remettez le bouchon de vidange et la rondelle. Serrez le bouchon de vidange fermement.
La mise au rebut inadéquate de l'huile peut causer des torts à l'environnement. Si vous vidangez vous-même l'huile, veillez à ce que l'huile usée soit mise au rebut de façon adéquate. Mettez-la dans un contenant fermé que vous apporterez dans un centre de recyclage. Ne jetez pas le contenant aux ordures, ne l'enterrez pas et n'en déversez pas le contenu dans les égouts.

4. En vous assurant que le moteur repose sur une surface plane, remplissez le réservoir d'huile jusqu'au repère de remplissage maximal (bord inférieur de l'orifice de remplissage) en utilisant de l'huile recommandée.

Capacité en huile-moteur : 0,58 L

AVIS

Le fonctionnement d'un moteur présentant un faible niveau d'huile peut causer des dommages.

5. Vissez le bouchon de remplissage et la jauge [1] fermement.

FILTRE À AIR

Un filtre à air bien entretenu empêche la saleté de pénétrer dans le moteur. La saleté qui pénètre dans le carburateur peut être acheminée par de petits conduits et causer l'usure prématurée de votre moteur. Ces petits conduits peuvent s'obstruer, entraînant des démarrages difficiles et des problèmes de fonctionnement. Utilisez toujours un filtre à air spécifié pour votre moteur afin d'assurer une étanchéité adéquate et le bon fonctionnement du moteur.

AVIS

Le fonctionnement du moteur sans filtre à air, ou avec un filtre endommagé, laisse la saleté entrer dans le moteur, entraînant ainsi l'usure prématurée du moteur. Ce type de dommage n'est pas couvert par la GARANTIE DU DISTRIBUTEUR.

Inspection

Voir la Figure 10, page 3.

1. Appuyer sur les languettes de fixation [1] au sommet du capot du filtre à air et déposer le capot [2].
2. Enlever l'élément en mousse [3] du capot du filtre à air.
3. Enlever la grille [4] de l'élément en papier.
4. Contrôler la propreté et l'état des deux éléments.
5. Remettre la grille en place sur l'élément en papier. S'assurer que la grille entoure complètement les plis du papier.
6. Remettre l'élément en mousse en place dans le capot du filtre.
7. Poser l'élément en papier avec la grille dans le corps du filtre à air et mettre le capot en place.

Nettoyage

1. Tapoter l'élément filtrant [5] plusieurs fois sur une surface dure pour éliminer la saleté ou le passer à l'air comprimé (sans dépasser 207 kPa / 2,1 kg/cm² / 30 psi) depuis le côté propre, celui qui fait face au moteur. Ne jamais tenter de nettoyer la saleté à la brosse. Le brossage incruste la saleté dans les fibres.
2. Élément en mousse [3]: Laver l'élément dans une solution d'eau chaude et de détergent ménager puis rincer abondamment ou le laver dans un solvant ininflammable ou à point d'éclair élevé. Bien laisser sécher l'élément.
Tremper l'élément dans de l'huile moteur propre et presser l'excès d'huile. Un excès d'huile dans la mousse peut faire fumer le moteur au démarrage ou saturer l'élément en papier et empêcher le bon fonctionnement du moteur.
3. Essuyer la saleté du corps [7] et du capot de filtre à air avec un chiffon humide. Prendre garde à empêcher la saleté d'entrer dans le conduit d'air [6] du carburateur.

BOUGIE

Voir la Figure 11, page 3.

Bougie requis: NGK - BPR6ES

La bougie requis est spécifiée pour les gammes de température dans des conditions normales d'utilisation du moteur.

AVIS

L'utilisation de bougies ne correspondant pas aux spécifications peut causer des dommages.

Pour un meilleur rendement, l'écartement des électrodes de la bougie doit être adéquat et la bougie doit être exempte de résidus.

1. Anchez le capuchon de bougie et enlevez la saleté à proximité du siège de la bougie.
2. Au moyen d'une clé pour bougie [1] de grosseur appropriée, retirez la bougie.
3. Inspectez la bougie. Remplacez la bougie si elle présente des dommages, si elle est encrassée, si la rondelle [2] est endommagée ou si l'électrode est usée.
4. Mesurez l'écartement de la bougie à l'aide d'une jauge d'épaisseur. L'écartement doit se situer entre 0,70 à 0,80 mm. Au besoin, corrigez l'écartement en repliant l'électrode latérale.
5. Installez une bougie neuve à la main afin d'éviter de fausser les filets.
6. Une fois la bougie installée à la main, serrez-la solidement au moyen d'une clé pour bougie afin de bien compresser la rondelle.
Pour l'installation d'une bougie neuve, serrez la bougie d'un demi-tour une fois qu'elle a été insérée à la main, ceci afin de compresser la rondelle.
Si vous réinstallez une bougie déjà utilisée, serrez-la de 1/8 à 1/4 de tour pour compresser la rondelle.

AVIS

Une bougie mal vissée peut surchauffer et causer des dommages au moteur. Une bougie trop serrée peut endommager les filets de la culasse.

7. Branchez le capuchon de bougie.

PARE-ÉTINCELLES (OPTIONNEL)

Voir la Figure 12, page 3.

Selon le type de moteur, le pare-étincelles peut être une pièce standard ou en option. Dans certaines zones, il n'est pas autorisé d'utiliser un moteur sans pare-étincelles. Se renseigner sur la réglementation locale. Un pare-étincelles est en vente chez les concessionnaires Honda agréés.

Pour assurer son bon fonctionnement, le pare-étincelles doit faire l'objet d'un entretien toutes les 100 heures.

Après la marche du moteur, le silencieux est chaud. Le laisser refroidir avant d'intervenir sur le pare-étincelles.

Démontage

1. Enlevez les trois boulons de 6 mm [1] du boîtier de silencieux [2].
2. Dévissez les vis 4 mm [3] du pare-étincelles [4] et dégagez le pare-étincelles du silencieux [5].

Nettoyage et inspection

1. Au moyen d'une brosse métallique, nettoyez les dépôts de calamine se trouvant sur la grille du pare-étincelles. Remplacez le pare-étincelles s'il présente des dommages ou s'il est usé.
2. Installez le pare-étincelles dans l'ordre inverse du démontage.

REMISAGE DE VOTRE MOTEUR

PRÉPARATION DE STOCKAGE

Les préparatifs de remisage sont essentiels afin d'assurer le bon fonctionnement de votre moteur et pour lui conserver son apparence. Les étapes qui suivent vous permettront de maintenir l'aspect d'origine de votre moteur en évitant que la rouille et la corrosion ne s'y attaquent. De plus, le moteur sera plus facile à démarrer la saison suivante.

NETTOYAGE

Si le moteur vient de fonctionner, laissez-le refroidir au moins 30 minutes avant de débiter le nettoyage. Nettoyez toutes les surfaces extérieures, réparez les endroits où la peinture est abîmée et appliquez une mince couche d'huile aux endroits susceptibles de rouiller.

AVIS

L'utilisation d'un boyau d'arrosage ou d'un système de nettoyage sous pression peut entraîner la pénétration d'eau dans le filtre à air et l'ouverture du silencieux. L'eau présente dans le filtre à air ou le silencieux peut être acheminée vers le cylindre de moteur et causer des dommages.

ESSENCE

AVIS

Selon la région où la machine est utilisée, la formule du carburant peut se détériorer et provoquer une oxydation rapide. La détérioration du carburant et l'oxydation peuvent se produire au bout de 30 jours et peuvent endommager le carburateur et/ou le circuit d'alimentation en carburant. Se renseigner auprès de votre concessionnaire chargé de l'entretien pour obtenir les recommandations locales d'entreposage.

Le période au cours de laquelle on peut laisser de l'essence dans le réservoir et le carburateur sans affecter le bon fonctionnement du moteur dépend de nombreux facteurs comme le mélange d'essence, la température de remisage et le niveau d'essence dans le réservoir. L'air contenu dans un réservoir partiellement rempli contribue à la dégradation de l'essence. Une très haute température de remisage accélère le processus de dégradation de l'essence. Ce type de problème survient quelques mois après le remisage et même plus tôt si l'essence est de qualité inférieure.

L'essence s'oxyde et se dégrade lorsque le moteur est remisé.

L'essence usée cause souvent des démarrages difficiles et elle laisse des dépôts gommeux qui peuvent obstruer les petits conduits du système d'alimentation en carburant. Si l'essence contenue dans votre moteur s'est détériorée pendant le remisage, il pourra être nécessaire de réparer ou de remplacer le carburateur et d'autres composants du système d'alimentation.

Si l'essence utilisée provient d'un bidon, s'assurer qu'elle est fraîche. Si votre contenant d'entreposage permet d'approvisionner votre tondeuse en carburant pendant plus de 3 mois, nous vous suggérons d'ajouter un stabilisateur de carburant au moment de remplir votre contenant.

Les dommages du système d'alimentation en essence et les problèmes liés au rendement du moteur découlant d'un remisage inadéquat ne sont pas couverts par la *Garantie Du Distributeur*.

Entreposage de courte durée (30-90 jours)

Si votre équipement ne sera pas utilisé dans les 30 à 90 jours, nous vous recommandons de prévenir les défaillances suivantes relatives au carburant :

1. Verser le stabilisateur d'essence conformément aux instructions du fabricant.

Lors de l'ajout de stabilisateur d'essence, remplir le réservoir d'essence fraîche. Si le réservoir n'est que partiellement plein, l'air présent favorisera la détérioration de l'essence durant le stockage.

Remarque :

- Tous les stabilisateurs ont une durée de conservation et leur rendement diminue avec le temps.
 - Les stabilisateurs de carburant ne permettent pas de reconstituer le carburant éventé.
2. Après avoir ajouté le stabilisateur, faire tourner le moteur à l'extérieur pendant 10 minutes pour s'assurer que l'essence non traitée est remplacée par l'essence traitée dans le carburateur.

Entreposage de longue durée ou saisonnier (plus de 90 jours)

⚠ AVERTISSEMENT

L'essence est extrêmement inflammable et explosive. La manipulation de l'essence comporte des risques de brûlures et de blessures très élevés.

- Se tenir à bonne distance des sources de chaleur, des étincelles et des flammes.
- Toujours manipuler l'essence à l'extérieur.
- Essuyer immédiatement les déversements d'essence.

1. Utilisez une pompe à siphon [1] (disponible dans le commerce) et pompez l'essence contenue dans le réservoir dans un contenant approprié.
2. Placez un contenant approprié sous le carburateur et utilisez un entonnoir afin de prévenir les éclaboussures d'essence.
3. Desserrez la vis de vidange [2] et vidangez le contenu du carburateur dans un contenant approprié. Une fois la vidange terminée, serrez la vis de vidange.

HUILE-MOTEUR

1. Procédez à la vidange d'huile (Voir la page 22).
2. Retirez la bougie (Voir la page 22).
3. Versez 1 - 2 cuillères à café (5 à 10 cm³) d'huile propre dans le cylindre.
4. Tirez sur le câble de démarrage en douceur à plusieurs reprises afin de faire circuler l'huile.
5. Réinstallez la bougie.

MESURES PRÉVENTIVES CONCERNANT LE REMISAGE

Si vous avez l'intention de remettre votre moteur alors que le réservoir et le carburateur contiennent de l'essence, il est important de prévenir les incidents pouvant être causés par les vapeurs d'essence. Dans ce sens, vous devez choisir un lieu de remisage bien aéré où le moteur sera à bonne distance de tout appareil fonctionnant au moyen d'un brûleur comme une chaudière, un chauffe-eau ou une sècheuse. Évitez également tout endroit où des appareils à moteur électrique générateur d'étincelles ou des outils mécaniques sont en opération.

Autant que possible, évitez de remettre votre moteur dans un endroit présentant un taux d'humidité élevé afin de prévenir la rouille et la corrosion.

Placez le moteur sur une surface plane pour éviter les fuites d'essence et d'huile.

Une fois que le moteur et le tuyau d'échappement sont refroidis, couvrez le moteur afin de le protéger de la poussière. Si le moteur et le tuyau d'échappement sont chauds, le matériel utilisé pour couvrir le moteur pourrait s'enflammer ou fondre. N'utilisez pas de housse en plastique pour recouvrir votre moteur, car un matériau non poreux emprisonnera l'humidité et entraînera la rouille et la corrosion du moteur.

APRÈS LE REMISAGE

Inspectez votre moteur comme l'indique la section *AVANT L'UTILISATION DE VOTRE MOTEUR*.

Si l'essence a été entièrement vidangée au moment du remisage, remplissez le réservoir avec de l'essence propre. Si vous conservez un bidon d'essence pour faire le plein, assurez-vous qu'il contient de l'essence propre. L'essence s'oxyde et se dégrade lorsque le moteur est remisé, provoquant ainsi des démarrages difficiles.

Si le cylindre a été enduit d'huile avant le remisage, il est possible que le moteur libère une fumée bleuâtre au premier démarrage. Cette situation est tout à fait normale.

TRANSPORT

Assurez-vous que le moteur est sur une surface plane pendant le transport afin de réduire les risques de fuite.

Pour les procédures à suivre lors du transport, référez-vous aux instructions fournies avec le matériel fonctionnant grâce au moteur.

RÉGLER DES PROBLÈMES IMPRÉVUS

LE MOTEUR NE DÉMARRE PAS

CAUSE POSSIBLE	CORRECTIF
Étrangleur ouvert.	Placez l'étrangleur en position FERMÉE à moins que le moteur ne soit chaud.
Interrupteur d'allumage en position d'arrêt (OFF).	<ul style="list-style-type: none">Placez le levier des gaz en position LENTE ou RAPIDEPlacez l'interrupteur d'allumage en position de marche (ON)Placez l'interrupteur d'arrêt du moteur en position de marche (ON)
Niveau d'huile bas (modèles avec système Oil Alert).	Remplissez avec de l'huile appropriée (page 21).
Panne sèche.	Faites le plein.
Essence de mauvaise qualité : moteur remisé sans traitement ni vidange d'essence ou plein d'essence inadéquate.	Vidangez le réservoir d'essence et le carburateur. Faites le plein d'essence propre.
Bougie endommagée, encrassée ou écartement inadéquat.	Remplacez la bougie (page 22).

Bougie noyée (essence) (moteur noyé).	Asséchez et réinstallez la bougie. Lancez le moteur en plaçant le levier des gaz en position RAPIDE (étrangleur en position OUVERTE).
Filtre à essence colmaté, mauvais fonctionnement du carburateur, allumage défaillant, soupapes colmatées, etc.	Confiez votre moteur à un concessionnaire Honda agréé ou consultez le manuel d'atelier.

LE RENDEMENT DU MOTEUR EST MÉDIOCRE

CAUSE POSSIBLE	CORRECTIF
Filtre colmaté.	Nettoyez ou remplacez le filtre (page 22).
Essence de mauvaise qualité : moteur remisé sans traitement ni vidange d'essence ou plein d'essence inadéquate.	Vidangez le réservoir d'essence et le carburateur. Faites le plein d'essence propre.
Filtre à essence colmaté, mauvais fonctionnement du carburateur, allumage défaillant, soupapes colmatées, etc.	Confiez votre moteur à un concessionnaire Honda agréé ou consultez le manuel d'atelier.

INFORMATIONS TECHNIQUES

Emplacement du numéro de série et du type

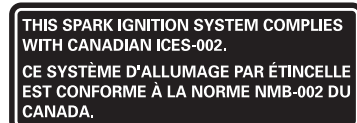
Voir la Figure page 17.

Noter le numéro de série du moteur et le type dans l'espace ci-dessous. Cette information est nécessaire pour la commande de pièces, les demandes techniques ou le recours à la garantie.

MODÈLE	NUMÉRO DE SÉRIE	TYPE
GS160 ou 190	_____ - _____	_____
Date d'achat		

Étiquette sur le brouillage radioélectrique (Canada)

Ce moteur est conforme aux normes de brouillage radioélectrique du Canada, NMB-002.



MODIFICATIONS DU CARBURATEUR POUR L'UTILISATION À HAUTE ALTITUDE

À haute altitude, le mélange air-essence du carburateur standard est trop riche. Le rendement baisse et la consommation d'essence augmente. Un mélange très riche peut également encrasser la bougie et causer des problèmes de démarrage. L'utilisation pendant des périodes prolongées à une altitude autre que celle pour laquelle le moteur est homologué peut accroître les émissions.

Le fonctionnement à haute altitude peut être amélioré par modification du carburateur. Si le moteur est toujours utilisé à des altitudes supérieures à 610 mètres, faire effectuer cette modification du carburateur par le revendeur. Lorsqu'il est utilisé en altitude avec un carburateur modifié pour la haute altitude, ce moteur se conforme à toutes les normes d'émissions pendant toute sa durée de service.

Même avec un carburateur modifié, la puissance du moteur diminue d'environ 3,5% pour chaque élévation supplémentaire de 300 mètres. L'effet de l'altitude sur la puissance est encore plus important avec un carburateur non modifié.

Lorsque vous utilisez des moteurs dotés d'un papillon de gaz automatique pour des applications à haute altitude, la capacité de

ralentir le moteur à 2 500 tours/minute peut diminuer. Consultez votre concessionnaire relativement aux ajustements à apporter si votre papillon des gaz ne réduit pas lorsque la pression diminue ou éprouve de la difficulté à revenir à des tr/min à plein régime si on applique la pression.

AVIS

Lorsque le carburateur a été modifié pour une utilisation à haute altitude, le mélange air-essence est trop pauvre pour les basses altitudes. L'utilisation à des altitudes inférieures à 610 mètres avec un carburateur modifié peut causer une surchauffe et des dommages importants du moteur. Pour les emplois à basse altitude, faire remettre le carburateur dans son état d'origine par le revendeur.

INFORMATION SUR LE SYSTÈME ANTIPOLLUTION

Sources des émissions

Le processus de combustion produit du monoxyde de carbone, des oxydes d'azote et des hydrocarbures. Le contrôle des hydrocarbures et des oxydes d'azote est très important parce que, dans certaines conditions, ils réagissent pour former un brouillard photochimique lorsqu'ils sont soumis à la lumière du soleil. Le monoxyde de carbone ne réagit pas de la même façon, mais il est très toxique.

Honda utilise des proportions air/essence appropriées ainsi que d'autres systèmes antipollution afin de réduire les émissions de monoxyde de carbone, d'oxydes d'azote et d'hydrocarbures. De plus, les systèmes d'alimentation de Honda utilisent des composantes et des technologies anti-pollution visant à réduire les émissions par évaporation.

États-Unis, Californie Clean Air Act et Environnement et Changement climatique Canada (ECCC)

Les règlements de l'EPA, de la Californie et du Canada exigent que tous les fabricants fournissent des instructions écrites décrivant le fonctionnement et la maintenance des systèmes de contrôle des émissions.

Les instructions et procédures suivantes doivent être observées afin d'assurer la conformité de votre moteur Honda avec les normes sur les émissions en vigueur.

Modification et altération

AVIS

La modification est une violation de la loi fédérale et de la Californie.

La modification ou l'altération du système antipollution peut entraîner une augmentation des émissions au-delà des limites permises. En vertu de ces lois, la modification est définie comme suit :

- Dépose ou altération de toute pièce de la tubulure d'admission, du système d'alimentation en essence ou du système d'échappement.
- Altération ou modification qui feraient fonctionner le moteur en dehors de ses paramètres de conception.

Problèmes pouvant avoir des effets sur les émissions

Si votre moteur présente l'un des symptômes suivants, faites inspecter ou réparer votre moteur par votre concessionnaire.

- Démarrage difficile et calage du moteur après le démarrage.
- Ralenti difficile.
- Raté d'allumage ou retour de flamme (backfire) sous charge.
- Postcombustion (backfire).
- Fumée d'échappement ou consommation élevée d'essence.

Pièces de remplacement

Les systèmes de contrôle des émissions de votre nouveau moteur Honda ont été conçus, fabriqués et certifiés conformément aux réglementations sur les émissions de l'EPA, de la Californie (modèles certifiés à vendre en Californie) et du Canada. Nous vous

recommandons d'utiliser des pièces d'origine Honda lorsque vous effectuez une maintenance. Ces pièces de rechange de conception originale sont fabriquées selon les mêmes normes que les pièces d'origine, ce qui vous permet d'avoir confiance en leurs performances. Honda ne peut pas refuser la couverture en vertu de la garantie d'émission uniquement pour l'utilisation de pièces de rechange ou de services non Honda effectués à un endroit autre qu'un concessionnaire Honda autorisé; Vous pouvez utiliser des pièces certifiées EPA comparables et effectuer des interventions sur des sites non Honda. Cependant, l'utilisation de pièces de rechange qui ne sont pas de conception et de qualité originales peut nuire à l'efficacité de votre système de contrôle des émissions.

Il incombe aux fabricants de pièces de rechange de s'assurer que les pièces n'entraîneront pas une diminution du rendement en matière de contrôle des émissions. Le fabricant ou l'atelier de remise à neuf de ces pièces doivent certifier que l'utilisation de ces pièces n'entraînera pas la non-conformité du moteur en ce qui a trait aux normes sur les émissions.

Entretien

En tant que propriétaire du moteur d'équipement électrique, il vous incombe d'effectuer toutes les opérations de maintenance requises répertoriées dans votre manuel du propriétaire. Honda vous recommande de conserver tous les reçus relatifs à la maintenance de votre moteur, mais Honda ne peut pas refuser la couverture de la garantie uniquement en raison de l'absence de reçus ou de votre incapacité à s'assurer que toute la maintenance programmée est terminée.

Observez le calendrier d'entretien de la [page 20](#). Rappelez-vous que le calendrier a été conçu suivant l'utilisation du produit moteur Honda aux fins prescrites. Une utilisation prolongée sous charge ou un fonctionnement à haute température, ou l'utilisation du moteur dans secs, exigera davantage d'entretien.

Indice d'air

(Modèles certifiés à vendre en Californie)

Une étiquette ou une étiquette volante sur l'indice d'air est apposée sur les moteurs étant certifiés pour une période de conformité donnée en matière d'émissions suivant les normes du California Air Resource Board.

Le diagramme à barres a été conçu afin que nos clients puissent comparer le rendement en matière d'émissions des moteurs disponibles. Un indice d'air faible indique un faible taux de pollution.

La description de durabilité a été conçue pour vous indiquer le temps de conformité de votre moteur aux normes sur les émissions. Le terme descriptif indique la durée utile du système antipollution ([page 29](#)) de votre moteur.

TERME DESCRIPTIF	TEMPS DE CONFORMITÉ
Modéré	50 heures (0 - 80 cm ³ incluse) 125 heures (supérieur à 80 cm ³ incluse)
Intermédiaire	125 heures (0 - 80 cm ³) 250 heures (supérieur à 80 cm ³ incluse)
Prolongé	300 heure (0 - 80 cm ³ incluse) 500 heures (supérieur à 80 cm ³) 1000 heures (250 cm ³ et supérieur)

SPÉCIFICATIONS

GS160

Longueur x largeur x hauteur	337 x 369 x 343 mm
Poids à vide	13,6 kg
Type de moteur	4 temps, un cylindre, arbres à cames
Cylindrée [alésage x course]	160 cm ³ [64 x 50 mm]

Capacité en huile-moteur	0,58 L
Capacité du réservoir d'essence	1,8 L
Système de refroidissement	Air forcé
Allumage	Électromagnétique
Rotation prise de mouvement	Antihoraire

GS190

Longueur x largeur x hauteur	345 x 372,5 x 343 mm
Poids à vide	13,8 kg
Type de moteur	4 temps, un cylindre, arbres à cames
Cylindrée [alésage x course]	187 cm ³ [69 x 50 mm]
Capacité en huile-moteur	0,58 L
Capacité du réservoir d'essence	1,8 L
Système de refroidissement	Air forcé
Allumage	Électromagnétique
Rotation prise de mouvement	Antihoraire

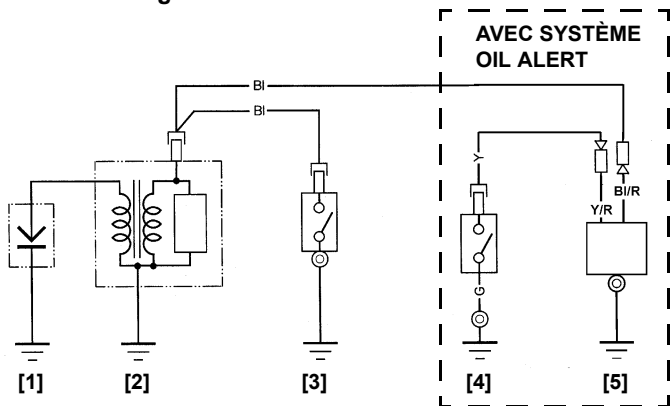
Spécifications de mise au point

ÉLÉMENT	SPÉCIFICATION	ENTRETIEN
Écartement de bougie	0,7 ~ 0,8 mm	Consulter la page 22
Jeu de soupape (froid)	INT. : 0,15 ± 0,04 mm EXT. : 0,20 ± 0,04 mm	Voyez votre concessionnaire Honda
Autres spécifications	Aucun autre réglage nécessaire.	

Guide de référence rapide

Essence	Type	Essence sans plomb d'un indice d'octane de 86 ou plus (page 21).
Huile-moteur	Type	10W-30, API SJ, pour usage général. Consulter la page 21 .
Carburateur	Ralenti	1 400 ± 150 tr/min
Bougie	Type	BPR6ES (NGK)
Entretien	Avant chaque utilisation	Vérifier le niveau d'huile-moteur. Consulter la page 21 . Vérifier le filtre à air. Consulter la page 22 .
	Premières 5 heures	Vidanger l'huile-moteur. Consulter la page 22 .
	Subséquentes	Consulter le calendrier d'entretien de la page 20 .

Schéma de Câblage



- [1] BOUGIE
 [2] BOBINE D'ALLUMAGE
 [3] INTERRUPTEUR D'ALLUMAGE (position normale ouverte)
 [4] INTERRUPTEUR DE NIVEAU D'HUILE (position normale ouverte)
 [5] UNITÉ OIL ALERT

MOTEUR	POSITION DE L'INTERRUPTEUR
MARCHE	OUVERT
ARRÊT	FERMÉ

NIVEAU D'HUILE	POSITION DE L'INTERRUPTEUR	MOTEUR
NORMAL	OUVERT	MARCHE
BAS	FERMÉ	ARRÊT

Bl	Noir	Br	Brun
Y	Jaune	O	Orange
Bu	Bleu	Lb	Bleu pâle
G	Vert	Lg	Vert pâle
R	Rouge	P	Rose
W	Blanc	Gr	Gris

INFORMATION DU CONSOMMATEUR

INFORMATIONS SUR LA GARANTIE ET LE LOCALISATEUR DE DISTRIBUTEURS/ CONCESSIONNAIRES

Etats-Unis, Puerto Rico et Iles vierges américaines:
 Rendez-vous sur notre site Web: www.engines.honda.com

Canada:
 Appelez le (888) 9HONDA9
 ou rendez-vous sur notre site Web: www.honda.ca

Publications Honda

Ces publications fournissent des renseignements supplémentaires pour l'entretien et la réparation du moteur. Elles peuvent être commandées auprès du concessionnaire de moteurs Honda.

Manuel de réparation	Ce manuel couvre toutes les procédures d'entretien et de remise à neuf. Il est destiné aux techniciens qualifiés.
Catalogue de pièces	Ce manuel fournit une nomenclature des pièces complète et illustrée.

INFORMATIONS D'ENTRETIEN POUR LE CLIENT

Le personnel des concessions de moteur Honda possède une formation professionnelle. Il devrait être en mesure de répondre à toutes vos questions.

Si vous êtes aux prises avec un problème que votre concessionnaire ne peut résoudre, parlez-en à la direction de la concession. Le directeur du service après-vente et le directeur général sont en mesure de vous aider. La plupart des problèmes se règlent ainsi simplement.

Toutefois, si vous n'êtes pas satisfait de la décision prise par la direction de la concession, communiquez avec le service à la clientèle de Honda Canada. Vous pouvez nous joindre par téléphone ou par télécopieur.

<Bureau Honda>

Lorsque vous écrivez ou appelez, veuillez fournir les informations suivantes:

- Nom du fabricant et numéro de modèle de l'équipement sur lequel est monté le moteur
- Modèle, numéro de série et type du moteur ([page 24](#))
- Nom du concessionnaire vous ayant vendu le moteur
- Nom, adresse et personne à contacter du concessionnaire assurant le service après-vente de votre moteur
- Date d'achat
- Vos nom, adresse et numéro de téléphone
- Description détaillée du problème

Honda Canada, Inc.
180 Honda Blvd. Markham, ON L6C 0H9

Téléphone: (888) 946-6329 Sans frais
 Télécopieur: (877) 939-0909 Sans frais

ENTRETIEN DU SYSTÈME D'ALIMENTATION

GS MOTEUR PROPULSÉ PRODUITS

Si elle est entretenue correctement, votre alimenté produit Honda devrait vous fournir de nombreuses années de service sans tracas. Cela va de même pour le circuit d'alimentation. Toutefois, l'essence peut se détériorer rapidement et causer des problèmes de démarrage et de fonctionnement et, dans certains cas, des dommages au circuit d'alimentation. La plupart des problèmes liés au carburant peuvent être évités en prenant les précautions indiquées ci-dessous. Les dommages au circuit d'alimentation et les problèmes de rendement du moteur résultant du carburant détérioré ne sont pas couverts par la garantie.

Suivez ces instructions pour éviter des problèmes plus de carburant liées

Pendant la saison de fonctionnement normal	Explication
N'utilisez pas de carburant contenant plus de 10 % d'éthanol (E10). Pas toute l'essence automobile est sûr pour une utilisation dans votre produit d'alimentation.	Une forte concentration d'éthanol dans le carburant retient l'eau et peut corroder ou endommager le circuit d'alimentation et causer des problèmes de rendement.
Rangez le carburant dans un contenant en plastique propre et hermétiquement fermé, homologué pour la conservation du carburant. Rangez le contenant de carburant à l'abri des rayons du soleil ; si le contenant est muni d'un évent, laissez-le fermé.	Un contenant en plastique transparent empêchera la rouille et les contaminants de pénétrer dans le circuit de carburant. Le carburant se détériorera plus rapidement s'il est exposé à l'air et aux rayons du soleil.
N'achetez que suffisamment d'essence pour la conserver pendant 30 à 60 jours au plus. Si vous achetez du carburant pour plus de 60 jours, ajoutez au contenant un stabilisateur de carburant lors du remplissage.	Le carburant se détériore à la longue, il est donc préférable d'éviter de le conserver pendant de longues périodes de temps, en particulier par temps chaud. Le stabilisateur de carburant prolongera la durée de conservation le carburant, mais ne reconstituera pas du carburant éventé.
Gardez le réservoir de carburant de votre produit plein de carburant frais lorsqu'il n'est pas utilisé.	Si le réservoir de carburant n'est que partiellement rempli, l'air dans le réservoir favorise la dégradation du carburant.
Gardez le filtre à air propre et bien entretenu. Vérifier avant chaque utilisation.	Un filtre à air bien entretenu aidera à prévenir la saleté de pénétrer dans le carburateur. Les petits passages à l'intérieur du carburateur peut devenir bloquée.
1 à 3 mois avantie prochaine usage	Explication
Si vous n'avez pas ajouté de stabilisateur de carburant à votre contenant de stockage lorsque vous l'avez rempli, remplissez le réservoir de votre produit d'essence neuve.	Si le réservoir de carburant n'est que partiellement rempli, l'air qui s'y trouve favorisera la détérioration du carburant.
Ajoutez un stabilisateur de carburant au réservoir de votre produit conformément aux instructions du fabricant.	Le stabilisateur de carburant prolongera la durée de conservation du carburant, mais ne reconstituera pas le carburant éventé.
Laissez le moteur tourner à l'extérieur pendant dix (10) minutes.	Le carburant traité doit remplacer le carburant non traité dans le circuit d'alimentation.
Plus de 3 mois avantie prochaine usage	Explication
Utilisez une pompe à siphon [1] (disponible dans le commerce) et pompez l'essence contenue dans le réservoir dans un contenant approprié. Ne laissez pas de carburant dans votre produit pendant plus de trois (3) mois d'inactivité.	Tous les stabilisateurs de carburant ont une durée de conservation. Une bonne pratique consiste à vider le circuit d'alimentation si il reste inutilisée pendant une période prolongée.

GARANTIE DU DISTRIBUTEUR

Honda Canada Inc., pour et au nom de Honda Motor Co. Ltd., Tokyo, Japon, offre la garantie suivante sur chaque moteur à toutes fins neuf fabriqué par Honda Motor Co. Ltd., Japon, distribué au Canada par Honda Canada Inc., et vendu en tant que pièce d'origine d'un équipement lorsqu'un tel équipement est fabriqué au Canada. Aux fins des présentes, "Honda" signifie Honda Canada Inc. etc/ou Honda Motor Co. Ltd., selon le contexte.

Honda garantit que chaque moteur à toutes fins neuf Honda est exempt de défaut de fabrication et de vice de main-d'oeuvre dans des conditions normales d'utilisation et d'entretien, pendant la période garantie pertinente énoncée ci-dessous. Si un moteur à toutes fins Honda s'avère défectueux avant l'échéance de la période de garantie, Honda réparera ou remplacera les pièces nécessaires par des pièces Honda neuves ou leur équivalent, sans frais de la part du consommateur, pièces et main-d'oeuvre comprises (à l'exception des frais de main-d'oeuvre relatives à un accessoire), sous réserve que de telles déficiences soient attribuées par Honda à des défauts de fabrication ou à des vices de main-d'oeuvre.

PÉRIODE DE GARANTIE

La couverture de garantie entre en vigueur à la date de vente originale ou lorsque l'unité est mise en service comme modèle de démonstration. La garantie suivante s'applique aux moteurs d'usage général achetés au détail ou utilisés pour un service de location le, ou après le, 1eraoût 2011.

MODÈLE	UTILISATION NON-COMMERCIALE	UTILISATION COMMERCIALE	LOCATION	CONCESSION
GS Moteur	24 mois	12 mois	3 mois	3 mois

REMARQUE: LE TERME CONCESSION DÉSIGNE UNE UTILISATION DANS UNKART (« GO KART »), ETC.

CETTE GARANTIE S'APPLIQUE:

- à tout moteur d'usage général Honda acheté au Canada chez un concessionnaire ou un distributeur autorisé de moteurs d'usage général Honda ;
- à toute pièce installée à l'usine (à l'exception des pièces sujettes à un entretien régulier dont il est mention dans la section intitulée "CETTE GARANTIE NE S'APPLIQUE PAS", et ;
- à tout moteur d'usage général sur lequel les services d'entretien périodiques ont été effectués, tel que prescrit dans le Manuel du propriétaire.

CETTE GARANTIE DE MOTEUR N'INCLUT PAS:

- Tout dommage ou détérioration découlant des situations suivantes :
 - Négligence concernant l'entretien périodique du moteur comme indiqué dans le Manuel du propriétaire
 - Réparation ou entretien erroné
 - Méthodes de fonctionnement autres que celles indiquées dans le manuel du propriétaire du moteur
 - Dommages causés par le produit sur lequel est installé le moteur
 - Dommage causé par la conversion vers un carburant, ou l'utilisation d'un carburant, autre que celui (ceux) pour lequel (lesquels) le moteur a été fabriqué à l'origine, comme il est indiqué dans le Manuel du propriétaire du moteur
 - L'utilisation de pièces ou d'accessoires qui ne sont pas des pièces ou des accessoires Honda d'origine, autres que ceux approuvés par Honda (autres que les lubrifiants et liquides recommandés) (ne s'applique pas aux garanties des pièces antipollution, à moins qu'une pièce qui n'est pas une pièce Honda d'origine ait été utilisée, que celle-ci n'est pas comparable à la pièce Honda, et qu'elle ait causé la défaillance)
 - L'exposition du produit aux particules de suie, à la fumée, aux agents chimiques, aux fientes d'oiseaux, à l'eau saline, à l'air marin, au sel ou à d'autres phénomènes environnementaux
 - Une collision, la contamination du carburant ou sa détérioration, la négligence, les modifications non autorisées, ou une mauvaise utilisation
 - L'usure normale (la décoloration naturelle des surfaces peintes ou plaquées, l'écaillage ou toute autre détérioration naturelle)

2. Les pièces normalement sujettes au remplacement : Honda ne garantit pas la détérioration due à une usure normale. Les pièces énumérées plus bas ne sont pas couvertes par la garantie (à moins que leur remplacement soit requis afin d'effectuer une autre réparation de garantie) :

- Bougies d'allumage, filtre à essence, filtre à air, disque d'embrayage, corde du lanceur à rappel
 - Lubrifiants : huile et graisse
- Nettoyage, réglage et entretien périodique normal (nettoyage de carburateur et vidange d'huile du moteur).
 - L'utilisation d'un moteur Honda d'usage général afin de participer à une course ou à une compétition.
 - Tout moteur qui fait partie d'un produit qui a fait l'objet d'une déclaration de perte totale ou qui a été vendu pour récupération ou usinage, peu importe la durée, par une institution financière ou un assureur.

OBLIGATION DU PROPRIÉTAIRE

Afin de maintenir la validité de cette GARANTIE DU DISTRIBUTEUR, les services d'entretien requis tels qu'énoncés dans le Manuel du propriétaire doivent être effectués aux intervalles appropriés et les reçus détaillés et registres doivent être gardés en dossiers.

COMMENT BÉNÉFICIER DE CETTE GARANTIE

Vous devez apporter votre moteur à toutes fins Honda, à vos frais, pendant les heures normales de travail, chez le concessionnaire autorisé de produits mécaniques Honda où vous avez acheté ce produit ou chez le concessionnaire précisé par le fabricant de l'équipement propulsé par le moteur Honda. Si vous ne pouvez pas obtenir le service prescrit par la garantie ou en êtes insatisfait, prenez les mesures suivantes : communiquez d'abord avec le propriétaire de la concession concernée ; cela devrait suffire pour résoudre le problème. Si, toutefois, vous désirez de l'aide additionnelle, veuillez écrire au bureau Honda Canada Inc., à l'attention du Service des relations avec la clientèle aux adresses, *Information de service pour le client*.

GARANTIE DES PIÈCES DE RECHANGE

Les pièces de rechange neuves d'origine Honda, vendues à un consommateur et installées par un concessionnaire autorisé de produits mécaniques Honda, non couvertes aux termes de la GARANTIE DU DISTRIBUTEUR sont garantis pour une période d'un (1) an à compter de la date d'achat dans le cas de l'utilisation normale ou de trois (3) mois dans le cas de l'utilisation commerciale/la location ou dans une concession, sous réserve que cette garantie de pièces de rechange ne s'applique pas aux pièces de rechange modifiées, utilisées ou installées sur un produit mécanique pour lequel lesdites pièces de rechange n'étaient pas conçues. Les composantes électriques qui ne sont pas installées par le concessionnaire (vendues au comptoir) ne sont pas couvertes par une garantie.

EXCLUSION DE TOUTE AUTRE GARANTIE

La GARANTIE DU DISTRIBUTEUR est la seule et unique garantie écrite offerte par Honda sur les moteurs à toutes fins Honda. Aucun concessionnaire, agent ou employé n'est autorisé à prolonger ou augmenter cette garantie au nom de Honda par toute déclaration écrite ou verbale ou toute publicité.

DÉNÉGATION DE RESPONSABILITÉ

Dans la mesure autorisée par la loi, Honda se dégage de toute responsabilité découlant des pertes de temps ou d'utilisation du moteur à toutes fins, des coûts de transport ou de remorquage ou de tout autre dommage imprévu, direct ou consécutif, d'inconvénient ou de perte de revenus.

AVIS AU CONSOMMATEUR

Les stipulations contenues dans ces garanties écrites n'ont pas pour objet de limiter, modifier, annuler, nier ou exclure toute garantie énoncée dans "The Consumer Products Warranties Act, 1977" (Saskatchewan), "The Consumer Product Warranty and Liability Act" (Nouveau-Brunswick) et la "Loi sur la protection du consommateur" (Québec) ou toute autre loi provinciale ou fédérale similaire.

DÉCLARATION DE CONFIDENTIALITÉ

L'information soumise concernant le propriétaire peut être utilisée par Honda et ses sociétés affiliées, leurs concessionnaires et leurs fournisseurs de services dans le but de vous communiquer des informations commerciales relatives aux produits et services. Si vous préférez ne pas recevoir d'informations commerciales, veuillez communiquer avec nous au 1-888-946-6329.

GARANTIE DU SYSTÈME ANTIPOLLUTION

Le nouveau moteur de produits mécaniques Honda est conforme aux réglementations sur les émissions de l'agence de protection environnementale américaine (EPA), d'Environnement Canada et de l'État de Californie (modèles homologués pour la vente en Californie uniquement). American Honda Motor Co., Inc. fournit la garantie sur les émissions pour les moteurs aux États-Unis et dans ses territoires. Honda Canada Inc. fournit la garantie sur les émissions pour les moteurs dans les 13 provinces et territoires du Canada. Dans la suite de cette garantie du système antipollution, American Honda Motor Co., Inc. et Honda Canada Inc. sont appelées Honda.

DÉCLARATION DE GARANTIE RELATIVE À LA LOI CALIFORNIENNE EN MATIÈRE D'ÉMISSIONS D'ÉCHAPPEMENT ET DE VAPEURS DE CARBURANT.

VOS DROITS ET OBLIGATIONS AUX TERMES DE LA GARANTIE

Le California Air Resources Board et Honda sont heureux de vous expliquer la garantie du système antipollution et des émissions d'échappement (les « émissions ») qui équipe le moteur de votre produit mécanique Honda 2021 ou ultérieur. En Californie, les nouveaux équipements qui utilisent de petits moteurs hors route doivent être conçus, fabriqués et équipés de façon à satisfaire les normes antipollution strictes de l'État. Honda doit garantir le système antipollution et des émissions d'échappement du moteur de votre produit mécanique pendant la durée indiquée ci-après, à condition que le moteur hors route ou votre équipement n'ait fait l'objet d'une forme d'usage abusif, de négligence ou de défaut d'entretien ayant entraîné une panne du système antipollution.

Votre système antipollution et des émissions d'échappement peut comprendre des pièces comme un carburateur ou un système d'injection de carburant, un système d'allumage, un convertisseur catalytique, des réservoirs de carburant, des canalisations de carburant (pour le carburant liquide et les vapeurs de carburant), des bouchons du réservoir de carburant, des soupapes, des absorbeurs de vapeurs de carburant, des filtres, des colliers et d'autres composants connexes. Des boyaux, des courroies, des connecteurs et d'autres éléments en rapport avec les émissions peuvent également être inclus (pour connaître les autres pièces couvertes, consultez la colonne adjacente.)

En cas de panne remplissant les conditions de la garantie, Honda s'engage à réparer votre moteur pour produit mécanique sans frais, y compris pour le diagnostic, les pièces et la main-d'œuvre.

COUVERTURE DE LA GARANTIE DU FABRICANT :

Le système antipollution et des émissions d'échappement du moteur de votre produit mécanique Honda est garanti pour une période de deux ans. Si une pièce liée aux émissions du moteur de votre produit mécanique Honda est défectueuse, elle sera réparée ou remplacée par Honda.

RESPONSABILITÉ DU PROPRIÉTAIRE AUX TERMES DE LA GARANTIE :

- En tant que propriétaire du moteur du produit mécanique, il vous incombe d'effectuer l'entretien tel que prévu dans votre manuel du propriétaire. Honda vous conseille de conserver tous les reçus concernant l'entretien de votre moteur pour produit mécanique; toutefois, Honda ne peut pas refuser le recours à la garantie uniquement en raison de l'absence de reçus ou de votre incapacité à assurer l'exécution de la totalité de l'entretien programmé.
- En tant que propriétaire du moteur pour produit mécanique, vous devez, cependant, savoir que Honda peut vous refuser la couverture de la garantie si la défaillance de votre moteur ou d'une pièce du produit mécanique est due à un usage abusif, une négligence, un mauvais entretien ou des modifications non approuvées.
- Il vous incombe de présenter le moteur de votre produit mécanique à un concessionnaire d'entretien de produits mécaniques Honda dès qu'un problème se présente. Les réparations au terme de la garantie doivent être effectuées dans un délai raisonnable ne dépassant pas 30 jours.

Pour toute question concernant vos droits et responsabilités aux termes de la garantie, veuillez communiquer avec le bureau Honda de votre région :

American Honda Motor Co., Inc.
Power Equipment
Customer Relations
4900 Marconi Drive
Alpharetta, Georgia 30005-8847,
États-Unis
Téléphone : 1-888-888-3139
Courriel : powerequipmentemissions
@ahm.honda.com

Honda Canada Inc.
Service de relations avec la
clientèle des produits
mécaniques
180, boul. Honda
Markham (Ontario) L6C 0H9,
Canada
Téléphone : 1-888-946-6329

VOS DROITS ET OBLIGATIONS AUX TERMES DE LA GARANTIE

Autres états, Territoires Américains et Canada :

Dans les autres régions des États-Unis et au Canada, votre moteur doit être conçu, fabriqué et équipé pour satisfaire les normes d'émissions de l'agence de protection environnementale américaine (EPA) et d'Environnement Canada pour les moteurs à allumage par étincelle de 19 kilowatts ou moins.

Les produits Honda qui ne sont pas conformes aux normes de pollution californiennes peuvent être identifiés par une décalcomanie « California: Not for sale or use » (Californie : ne peut être vendu ou utilisé) ou « California : Only for use in Farming or Construction Equipment » (Californie : peut seulement être utilisé dans un équipement réservé à usage agricole ou dans le domaine de la construction).

Ensemble des États-Unis et du Canada :

Le système antipollution et des émissions d'échappement du moteur de votre produit mécanique Honda vendu aux États-Unis et au Canada est couvert par cette garantie pour une durée de deux ans à compter de la date de livraison à l'acheteur au détail final ou pendant la durée de la Garantie limitée du distributeur de Honda, selon la période la plus longue. La présente garantie est transférable à chaque acheteur subséquent pendant la période de la garantie.

Si une pièce liée aux émissions du moteur de votre produit mécanique Honda est défectueuse, elle sera réparée ou remplacée par Honda. Toutes les pièces défectueuses remplacées dans le cadre de la garantie deviennent la propriété de Honda. Les réparations au terme de la garantie doivent utiliser exclusivement des

pièces de rechange agréées par Honda, qui doivent être fournies sans frais pour le propriétaire. Une liste des pièces garanties figure au verso de cette déclaration de garantie. Toutes les pièces liées aux émissions sont sous garantie pour le reste de la durée de la garantie. Les éléments d'entretien normaux, comme les bougies d'allumage et les filtres, qui apparaissent dans la liste des pièces garanties sont couverts par la garantie uniquement jusqu'à leur fréquence de remplacement requis. Honda remplacera également les autres composants du moteur endommagés par une défaillance de toute pièce couverte par la garantie pendant la durée de celle-ci. Honda ne peut pas refuser une couverture relative à la garantie sur les émissions uniquement en raison de l'utilisation de pièces de rechange non fournies par Honda ou d'un entretien effectué par un établissement autre qu'une concession Honda agréée; cependant, l'utilisation d'une pièce dont le fonctionnement n'est pas identique à celui de la pièce d'origine de quelque façon et pouvant affecter les émissions (y compris la durabilité) peut mener au refus de la couverture. Si une telle pièce de rechange non fournie par Honda est utilisée pour la réparation ou l'entretien de votre moteur, et qu'un concessionnaire Honda agréé détermine qu'elle est défectueuse ou qu'elle entraîne la défectuosité d'une pièce couverte par la garantie, votre réclamation visant la réparation de votre moteur sera refusée. Si la pièce visée n'est liée en aucune façon à la cause de la réclamation de réparation pour votre moteur, votre demande ne sera pas refusée.

POUR VOUS PRÉVALOIR DU SERVICE DE GARANTIE :

Vous devez amener, à vos propres frais, votre moteur de produits mécaniques Honda ou le produit sur lequel il est installé, ainsi que votre carte d'enregistrement d'achat ou tout autre justificatif de la date d'achat initiale à tout concessionnaire de produits mécaniques Honda autorisé par Honda à vendre et à réparer ce produit Honda durant ses heures normales d'ouverture. Les réclamations de réparation ou de réglage jugées nécessaires uniquement en raison de défauts de matériel ou de main-d'œuvre ne pourront pas être refusées au motif que le moteur n'a pas été correctement entretenu ou utilisé.

Si vous ne parvenez pas à obtenir de service dans le cadre de la garantie ou n'êtes pas satisfait du service obtenu, veuillez communiquer avec le propriétaire de la concession concernée. Ceci devrait normalement résoudre votre problème. Toutefois, si une assistance supplémentaire est nécessaire, communiquez avec le bureau Honda de votre région :

EXCLUSIONS :

Toutes les défectuosités autres que celles qui résultent de défauts de matériaux ou de fabrication ne sont pas couvertes par la présente garantie. La présente garantie ne s'applique pas aux systèmes antipollution ni aux pièces qui subissent des dommages ou des bris si le propriétaire fait preuve d'un usage abusif, de négligence, d'un entretien inadéquat ou d'une modification non autorisée.

La présente garantie ne couvre pas le remplacement des éléments d'entretien à usage unique qui sont remplacés dans le cadre des travaux d'entretien régulier après le premier remplacement prévu de ce type d'élément, comme les bougies d'allumage et les filtres, conformément à ce qui est énuméré dans la section d'entretien du manuel du propriétaire du produit.

AVIS DE NON-RESPONSABILITÉ POUR LES DOMMAGES CONSÉCUTIFS ET LIMITE DES GARANTIES IMPLICITES :

American Honda Motor Co., Inc. et Honda Canada Inc. déclinent toute responsabilité pour les dommages indirects ou consécutifs, tels que la perte de temps ou d'emploi d'un produit mécanique ou tout préjudice commercial causé par la panne de l'appareil, et toutes les garanties implicites sont limitées à la durée de cette garantie écrite. Cette garantie ne s'applique qu'aux endroits où les réglementations sur la garantie des systèmes antipollution de l'État de Californie, de l'agence de protection environnementale américaine (EPA) ou d'Environnement Canada sont en vigueur.

PIÈCES SOUS GARANTIE DU SYSTÈME ANTIPOLLUTION :

SYSTÈMES COUVERTS PAR CETTE GARANTIE:	DESCRIPTION DES PIÈCES:
Alimentation en carburant	Ensemble de carburateur (inclut le système d'enrichissement au démarrage), sonde d'oxygène, corps de papillon, capteur de température du moteur, module de commande du moteur, injecteur de carburant, régulateur de pression de carburant, tubulure d'admission
Recyclage des vapeurs de carburant	Réservoir de carburant, bouchon du réservoir de carburant, canalisations de carburant (pour le carburant liquide et les vapeurs de carburant), absorbeur de vapeurs de carburant à charbon actif, supports de fixation de l'absorbeur de vapeurs de carburant à charbon actif, raccords de canalisation de carburant, filtre à carburant, soupape de carburant, pompe à carburant, joint de boyau de carburant, connecteur de port de purge de l'absorbeur de vapeurs de carburant
Échappement	Catalyseur, tuyau d'échappement, pot d'échappement (avec catalyseur), collecteur d'échappement
Admission d'air	Boîtier de filtre à air, élément de filtre à air*
Allumage	Comp. de volant moteur, magnéto de volant moteur, générateur d'impulsions d'allumage, capteur de position du vilebrequin, bobine d'alimentation, ensemble de bobine d'allumage, module de gestion de l'allumage, protecteur de bougie, bougie*
Le Contrôle d'Émission de carter	Tube de reniflard, boîtier de soupapes de reniflard, bouchon de remplissage d'huile
Pièces diverses	Tubes, raccords, joints d'étanchéité, garnitures et colliers de serrage associés aux systèmes indiqués.

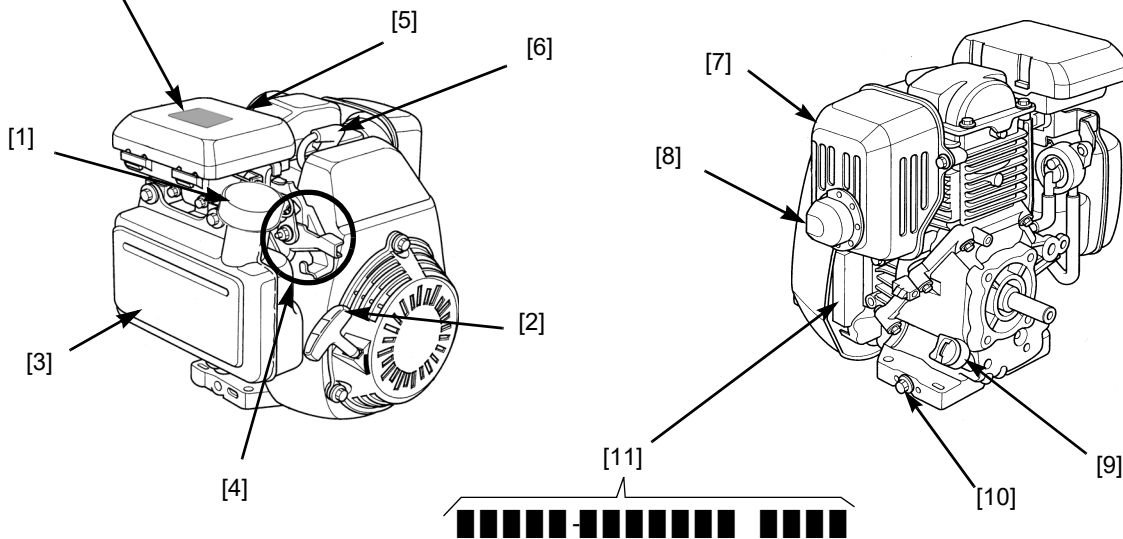
* Couverts jusqu'au premier remplacement requis seulement. Voir le CALENDRIER D'ENTRETIEN (page 20). OTR50975-V

MANUAL DEL PROPIETARIO GS160 • GS190



⚠ WARNING
Gasoline is highly flammable and explosive. Turn engine off and let cool before refueling.
The engine emits toxic carbon monoxide. Do not run in an enclosed area.
Read Owner's Manual before operation.
Honda Motor Co., Ltd.

⚠ ADVERTENCIA: ⚠
Los gases de escape de este producto contienen agentes químicos que, según el Estado de California, causan cáncer, defectos de nacimiento u otros efectos perjudiciales reproductivos.



UBICACIÓN DE COMPONENTES Y CONTROLES

1	Tapa de llenado del combustible
2	Arrancador
3	Tanque de combustible
4	Etipos de control del motor *
5	Filtro de aire
6	Bujía

7	Tubo de escape
8	Deflector del tubo de escape (optativo)
9	Tapa de llenado/varilla de medición del aceite
10	Tapón de drenaje del aceite
11	Ubicación del número de serie

* El área de control del motor varía según el tipo de motor. Refiérase a las figuras individuales en la [página 2](#) para determinar el tipo de control del motor cuando lea la sección de Operación y otras secciones en este manual.

ESPAÑOL

INTRODUCCIÓN

Gracias por comprar un motor Honda. Nuestro deseo es ayudarle a lograr los mejores resultados con su nuevo motor y a usarlo en forma segura. Este manual contiene información acerca de cómo hacerlo. Léalo atentamente antes de usar el motor. Si surge un problema, o si tiene preguntas sobre su motor, consulte a un concesionario autorizado de servicios de Honda.

Toda la información que se encuentra en esta publicación está basada en la información más reciente sobre el producto en el momento de su impresión. American Honda Motor Co., Inc. se reserva el derecho de realizar cambios en cualquier momento sin aviso previo y sin incurrir en ninguna obligación. No está permitida la reproducción de ninguna parte de esta publicación sin autorización por escrito.

Este manual debe considerarse parte permanente del motor y debe acompañarlo si se revende.

Estudie las instrucciones provistas con el equipo accionado por este motor para averiguar si hay información adicional sobre la puesta en marcha, el apagado, el funcionamiento y los ajustes del motor, así como instrucciones especiales sobre el mantenimiento.

ÍNDICE

MENSAJES DE SEGURIDAD	32
VERIFICACIONES PREVIAS AL FUNCIONAMIENTO	32
OPERACIÓN	33
PRECAUCIONES DE SEGURIDAD PARA LA OPERACIÓN	33
PRECAUCIONES DE SEGURIDAD PARA LA OPERACIÓN	33
EL SERVICIO DEL MOTOR	34
SEGURIDAD EN EL MANTENIMIENTO	34
PROGRAMA DE MANTENIMIENTO	34
REABASTECIMIENTO DEL COMBUSTIBLE	35
ACEITE PARA MOTORES	35
FILTRO DE AIRE	36
BUJÍA	36
PARACHISPAS (equipo optativo)	36
CÓMO ALMACENAR EL MOTOR	36
TRANSPORTE	38
CÓMO SOLUCIONAR PROBLEMAS IMPREVISTOS	38
INFORMACIÓN TÉCNICA	38
INFORMACIÓN PARA EL CONSUMIDOR	40
INFORMACIÓN DE SERVICIO AL CLIENTE DE MEXICO	42

MENSAJES DE SEGURIDAD

Su seguridad y la de otros son muy importantes. Hemos proporcionado importantes mensajes sobre la seguridad en este manual y en el motor. Lea estos mensajes atentamente.

El mensaje de seguridad le advierte de posibles peligros que podrían dañarlo a usted o a otros. Cada mensaje de seguridad está precedido por un símbolo de alerta de seguridad ▲ y una de las tres siguientes palabras: PELIGRO, ADVERTENCIA o PRECAUCIÓN.

Estas palabras claves significan:

▲ PELIGRO	Usted MORIRÁ o SE LASTIMARÁ GRAVE-MENTE si no sigue las instrucciones.
▲ ADVERTENCIA	Usted PUEDE MORIR o LASTIMARSE GRAVE-MENTE si no sigue las instrucciones.
▲ PRECAUCIÓN	Usted PUEDE LASTIMARSE si no sigue las instrucciones.

Cada mensaje identifica el peligro, lo que podría pasar y lo que usted puede hacer para evitar o reducir la lesión.

MENSAJES DE PREVENCIÓN DE DAÑO

Usted también verá otros mensajes importantes precedidos por la palabra AVISO. Esta palabra significa:

AVISO	Su motor u otra propiedad podrían sufrir daños si usted no sigue las instrucciones.
--------------	---

El propósito de estos mensajes es ayudar a prevenir daños a su motor, otra propiedad o el ambiente.

INFORMACIÓN DE SEGURIDAD

- Comprenda el funcionamiento de todos los controles y aprenda a parar el motor rápidamente en caso de emergencia. Asegúrese de que el operador reciba las instrucciones adecuadas antes de operar el equipo.
- No permita que los niños operen el motor. Mantenga a los niños y animales apartados del lugar de operación.
- El escape del motor contiene el peligroso monóxido de carbono. No ponga en marcha el motor sin una adecuada ventilación, y nunca lo haga en interiores.
- El motor y el escape se calientan considerablemente durante su funcionamiento. Mantenga el motor por lo menos a 1 metro de las construcciones y de otros equipos durante la operación. Mantenga lejos los materiales inflamables, y no ponga nada encima del motor mientras está en marcha.

SITUACIÓN DE LAS ETIQUETAS DE SEGURIDAD

Esta etiqueta le avisa sobre peligros potenciales que pueden ocasionar heridas graves. Léala detenidamente.

Si la etiqueta se despegua o si resulta difícil de leer, solicite su reemplazo a su concesionario de servicio Honda.

VERIFICACIONES PREVIAS AL FUNCIONAMIENTO

¿ESTÁ SU MOTOR LISTO PARA OPERAR?

Para su seguridad, para asegurar el cumplimiento de la normativa ambiental, y para prolongar la vida útil al máximo, es muy importante tomarse unos momentos antes de poner en marcha el motor para verificar su estado. No deje de solucionar todos los problemas que descubra o hágalos corregir por el concesionario de servicio antes de usar el motor.

▲ ADVERTENCIA

El mantenimiento incorrecto de este motor, o el no corregir un problema antes de usarlo, puede causar un funcionamiento defectuoso que podría herirlo gravemente o producirle la muerte.

Realice siempre una inspección previa antes de cada operación, y corrija todos los problemas.

Antes de iniciar sus verificaciones previas, asegúrese que el motor esté nivelado y que la palanca de aceleración (palanca del interruptor de encendido o interruptor de parada del motor) esté en la posición de PARADA.

Verifique siempre lo siguiente antes de arrancar el motor:

1. Nivel de combustible (consultar la [página 37](#)).
2. Nivel de aceite (consultar la [página 35](#)).

El sistema Oil Alert® (tipos de motores pertinentes) apaga el motor automáticamente antes de que el nivel de aceite caiga por debajo de los límites seguros. No obstante, para evitar las molestias de un paro inesperado, verificar siempre el nivel de aceite del motor antes de darle arranque.

3. Filtro de aire (consultar la [página 36](#)).
4. Inspección general: verificar que no haya pérdidas de fluido ni partes flojas o dañadas.
5. Verificar el equipo accionado por este motor.

Estudie las instrucciones provistas con el equipo accionado por este motor para averiguar si hay precauciones y procedimientos que deban observarse antes de poner en marcha el motor.

OPERACIÓN

PRECAUCIONES DE SEGURIDAD PARA LA OPERACIÓN

Antes de poner el motor en funcionamiento por primera vez, examine la sección de *INFORMACIÓN SOBRE LA SEGURIDAD* en la página 1 y las *VERIFICACIONES PREVIAS AL FUNCIONAMIENTO*.

Por su seguridad, no utilice el motor en áreas cerradas, por ejemplo, en las cocheras. Los gases emitidos por el escape del motor contienen monóxido de carbono venenoso que puede acumularse rápidamente en las áreas cerradas y producir malestares o incluso la muerte.

⚠ ADVERTENCIA

Los gases de escape contienen monóxido de carbono que se acumula en un espacio cerrado llegar a ser peligroso. La inhalación de monóxido de carbono puede ser responsable de la pérdida de la conciencia o *décès*. Ne nunca haga funcionar el motor en lugares cerrados o parcialmente cerrados, aunque las personas están presentes.

Estudie las instrucciones provistas con el equipo accionado por este motor para averiguar si hay precauciones de seguridad que deban observarse durante el arranque, la parada o el uso del motor.

No opere el motor en pendientes mayores a 20°.

FRECUENCIA DE USO

Si el equipo (la cortadora de césped) se utilizará de manera poco frecuente o intermitente (más de 4 semanas entre cada uso), consulte la sección sobre combustible del capítulo *ALMACENAMIENTO* (página 37) para obtener información adicional sobre el deterioro del combustible.

ARRANQUE / PARADA DEL MOTOR (TODOS LOS TIPOS)

Ver las cifras en la parte superior de la página 2 para identificar el tipo de control utilizado en su equipo. Tipo específico de arranque y parada información se puede encontrar después de la información se muestra a continuación.

- **Choke manual:** Tirar del choke [1] hasta que llegue a la posición de CERRADO (CLOSED) (frío motor).
Si se tiró del choke para la posición de CERRADO para arrancar el motor, empujarlo hasta la posición de ABIERTO (OPEN) en cuanto el motor se caliente lo suficiente como para operar fluidamente.
- **Ajuste del acelerador:** Para el mejor rendimiento del motor, se recomienda hacer funcionar el motor con el acelerador en la posición de RÁPIDO (FAST) (o alto).
- **Manija de arranque:** Tirar suavemente de la manija de arranque hasta sentir una resistencia; luego tirar enérgicamente.

AVISO

No permitir que la manija de arranque pegue contra el motor. Regresarla suavemente para no dañar el arrancador.

SYSTEMA DE OIL ALERT® (TIPOS APLICABLES DEL MOTOR)

El sistema Oil Alert está diseñado para evitar daños al motor causados por una cantidad insuficiente de aceite en el cárter. Antes de que el nivel del aceite en el cárter pueda caer debajo de un límite seguro, el sistema Oil Alert apaga el motor automáticamente [la palanca de aceleración (palanca del interruptor de encendido) permanece en una posición de marcha].

Si el motor se apaga y no vuelve a arrancar, controlar el nivel de aceite del motor (consultar la página 35) antes de buscar problemas en otras áreas.

Tipo 1: Choke Manual, Acelerador Manual

ARRANCAR EL MOTOR

1. Tirar del choke [1] hasta que llegue a la posición de CERRADO (CLOSED) (frío motor) (consultar la Figura 1, página 2).
2. Mover la palanca del acelerador (gris) [2] en sentido opuesto a la posición de LENTO (SLOW) aproximadamente 1/3 del camino hacia la posición de RÁPIDO (FAST) (consulte Figura 2, página 2).
Algunas aplicaciones del motor usan un control de acelerador montado en forma remota en lugar de la palanca del acelerador montada en el motor según esta ilustración.
3. Tirar suavemente de la manija de arranque hasta sentir una resistencia; luego tirar enérgicamente.
4. Si se tiró del choke se tiró hasta la posición de CERRADO (CLOSED) para arrancar el motor, empujarlo hasta la posición de ABIERTO (OPEN) en cuanto el motor se caliente lo suficiente como para operar fluidamente.
5. Coloque la palanca del acelerador (gris) en la velocidad deseada.

PARADA DEL MOTOR

1. Mover la palanca del acelerador (gris) a la posición de LENTO (SLOW).
2. Permitir que el motor funcione en vacío varios segundos, y luego mover la palanca del acelerador a la posición de APAGADO (OFF).

Tipo 2: Choke Manual, Palanca del Interruptor de Encendido, Acelerador Fijo

ARRANCAR EL MOTOR

1. Tirar del choke [1] hasta que llegue a la posición de CERRADO (CLOSED) (frío motor) (consultar la Figura 1, página 2).
2. Mover la palanca del interruptor de encendido (roja) [4] hasta la posición de encendido (consultar la Figura 4, página 2).
Algunas aplicaciones del motor usan un interruptor de encendido montado en forma remota en lugar del interruptor de parada del motor montado en el motor según esta ilustración.
3. Tirar suavemente de la manija de arranque hasta sentir una resistencia; luego tirar enérgicamente.
4. Si se tiró del choke se tiró hasta la posición de CERRADO para arrancar el motor, empujarlo hasta la posición de ABIERTO en cuanto el motor se caliente lo suficiente como para operar fluidamente.

La velocidad del motor está prefijada para este tipo.

PARADA DEL MOTOR

Mueva el interruptor de parada del motor (roja) a la posición de apagado (consultar la Figura 5, página 2).

Tipo 3: Choke Manual, Interruptor de Parada del Motor, Acelerador Fijo

Algunas aplicaciones del motor emplean un interruptor de parada de motor montado a distancia en lugar de la interruptor de parada de motor montada en el motor mostrada. Consulte las instrucciones suministradas por el fabricante del equipo.

ARRANCAR EL MOTOR

1. Tirar del choke [1] hasta que llegue a la posición de CERRADO (CLOSED) (frío motor) (consultar la Figura 1, página 2).
2. Mover el interruptor de parada del motor [2] hasta la posición de ABIERTO (OPEN) (consultar la Figura 6, página 2).
3. Tirar suavemente de la manija de arranque hasta sentir una resistencia; luego tirar enérgicamente.

4. Si se tiró del choke se tiró hasta la posición de CERRADO para arrancar el motor, empujarlo hasta la posición de ABIERTO en cuanto el motor se caliente lo suficiente como para operar fluidamente.

La velocidad del motor está prefijada para este tipo.

PARADA DEL MOTOR

Mueva el interruptor de parada del motor a la posición de APAGADO (OFF) (consultar la Figura 6, [página 2](#)).

EL SERVICIO DEL MOTOR

LA IMPORTANCIA DEL MANTENIMIENTO

El buen mantenimiento es esencial para un funcionamiento seguro, económico y libre de problemas. También ayuda a reducir la contaminación.

⚠ ADVERTENCIA

El mantenimiento incorrecto, o el no corregir los problemas antes de su funcionamiento, puede causar un funcionamiento defectuoso que podría lesionarlo gravemente o producirle la muerte.

Siga siempre las recomendaciones y los programas de inspección y mantenimiento de este manual del propietario.

Para ayudarle a cuidar de su motor correctamente, las siguientes páginas incluyen un programa de mantenimiento, procedimientos de inspección rutinarios y procedimientos de mantenimiento sencillos que utilizan herramientas básicas. Es mejor permitir que profesionales realicen las tareas de servicio más difíciles o que requieren herramientas especiales. Por lo general, estas tareas son realizadas por un técnico de Honda u otro mecánico autorizado.

El programa de mantenimiento se aplica a condiciones de funcionamiento normales. Si usted usa su motor en condiciones severas, por ejemplo, un funcionamiento prolongado con altas cargas o a temperaturas elevadas, o si lo usa en condiciones más húmedas o polvorientas que de costumbre, consulte a su concesionario de servicios para pedirle recomendaciones pertinentes a sus necesidades y usos individuales.

Recuerde que el concesionario autorizado de servicios de Honda conoce mejor su motor y tiene todo los equipos necesarios para mantenerlo y repararlo.

Para asegurar la mejor calidad y confiabilidad, use sólo partes nuevas genuinas de Honda o sus equivalentes para las tareas de reparación y reemplazo.

El mantenimiento, el reemplazo o la reparación de los dispositivos y sistemas de control de emisiones pueden ser realizados por cualquier establecimiento o particular dedicado a la reparación de motores, usando partes “certificadas” según las normas de la EPA.

SEGURIDAD EN EL MANTENIMIENTO

A continuación se encuentran algunas de las precauciones de seguridad más importantes. Sin embargo, no podemos advertirle de todos los peligros concebibles que podrían surgir al realizar el mantenimiento. Sólo usted puede decidir si debe realizar una tarea dada o no.

⚠ ADVERTENCIA

Usted puede sufrir lesiones graves o morir si no sigue las instrucciones y las precauciones de mantenimiento correctamente.

Siempre siga los procedimientos y las precauciones que se encuentran en este manual del propietario.

PRECAUCIONES DE SEGURIDAD

- Asegúrese de que el motor esté apagado antes de comenzar cualquier tarea de mantenimiento o reparación. Esto eliminará varios posibles peligros:
 - **Intoxicación por monóxido de carbono de los humos de escape del motor.**
Asegúrese de que haya una ventilación adecuada cada vez que ponga el motor en marcha.
 - **Quemaduras provocadas por partes calientes.**
Permita que el motor y el sistema de escape se enfríen antes de tocarlos.
 - **Injury from moving parts.**
No deje el motor andando a menos que esté específicamente indicado en las instrucciones.
- Lea las instrucciones antes de comenzar, y asegúrese de que tenga las herramientas y las destrezas requeridas.
- Para reducir la posibilidad de incendio o explosión, tenga cuidado al trabajar cerca de la gasolina. Use únicamente un solvente no inflamable (no gasolina) para limpiar las partes. Mantenga los cigarrillos, las chispas y las llamas lejos de todas las partes relacionadas con el combustible.

PROGRAMA DE MANTENIMIENTO

Realizar cada mes o intervalo de horas de funcionamiento indicado, según cuál ocurra primero. ⁽¹⁾

Período de servicio normal	Ítem	Página
Antes de cada uso	Revisar: Aceite de motor Revisar: Filtro de aire	página 35 página 36
Primer mes o 5 horas	Cambiar: Aceite de motore	página 35
Cada 3 meses o 25 horas	Limpiar: Filtro de aire ⁽²⁾	página 36
Cada 6 meses o 50 horas	Cambiar: Aceite de motore ⁽³⁾ Limpiar: Filtro de aire ⁽²⁾	página 35 página 36
Cada año o 100 horas	6 artículos mes anterior, más: Revisar-ajustar: Bujía Limpiar: Parachispas (equipo optativo) Revisar-ajustar: Velocidad en vacío ⁽⁴⁾ Limpiar: Tanque y filtro de combustible ⁽⁴⁾ Revisar-ajustar: Tolerancia de válvula ⁽⁴⁾	página 36 página 36
Cada dos años o 200 horas	Elementos anual anterior más: Reemplazar: Filtro de aire Reemplazar: Bujía	página 36 página 36
Cada dos años	Revisar: Tubo de combustible ⁽⁴⁾ (reemplazar si hace falta)	

- (1) Realizar el servicio más frecuentemente cuando se usa en zonas polvorientas.
 (2) Servicio con más frecuencia cuando se utiliza en zonas polvorientas.
 (3) Cambiar el aceite del motor cada 25 horas cuando se usa con cargas pesadas o en temperaturas ambientes elevadas.
 (4) Estos ítems deben ser realizados por un concesionario autorizado de servicios de Honda, a menos que usted tenga las herramientas apropiadas y sea experto en la mecánica. Consulte el manual del taller de Honda para averiguar los procedimientos de servicio.

Si no sigue este programa de mantenimiento pueden producirse fallas que no entran en la garantía.

REABASTECIMIENTO DEL COMBUSTIBLE

Este motor está certificado para funcionar con gasolina sin plomo con un octanaje de 86 o más.

Se recomienda llenar el tanque después de cada uso para minimizar el aire presente en el tanque de la gasolina.

Eche gasolina en un área bien ventilada y con el motor parado. Si el motor ha estado funcionando, deje que se enfríe primero. No eche gasolina a la máquina en el interior de un edificio donde los vapores de la gasolina puedan estar expuestos a alguna llama o chispa.

Puede usar gasolina ordinaria sin plomo que no contenga más del 10% de etanol (E10) o del 5% de metanol por volumen. Asimismo, el metanol debe contener cosolventes e inhibidores de corrosión. El uso de combustibles con un contenido de metanol superior al mostrado anteriormente puede ocasionar problemas de arranque o de funcionamiento. También puede dañar las piezas de metal, goma y plástico del sistema de combustible. Además, el etanol es higroscópico, lo que significa que atrae y retiene agua en el sistema de combustible. El daño al motor o los problemas de funcionamiento que resulten del uso de un combustible con porcentajes de etanol o metanol superiores a los mostrados anteriormente no están cubiertos por la garantía.

Si no se va a utilizar el equipo frecuentemente o de manera continua, (más de 4 semanas entre cada uso) consulte la sección de combustible del capítulo STORAGE (ALMACENAMIENTO) (página 37) para obtener más información sobre el deterioro del combustible.

No use nunca gasolina rancia o contaminada ni mezclas de aceite y gasolina. No permita que entre suciedad o agua en el tanque de combustible.

⚠ ADVERTENCIA

La gasolina es altamente inflamable y explosiva. Usted puede quemarse o lesionarse gravemente durante el reabastecimiento.

- Apagar el motor y alejar fuentes de calor, chispas y llamas.
- Reabastecer de combustible únicamente al aire libre.
- Limpiar los derrames inmediatamente.

Adición de Combustible

Consulte Figura 7, página 3.

1. Quitar la tapa del tanque de combustible.
2. Agregar combustible hasta la parte inferior del límite [1] de combustible en el cuello del tanque de combustible. No sobrellenarlo. Limpiar el combustible derramado antes de poner el motor en marcha.
3. Apriete el tapón del tanque de combustible hasta que escuche un clic.

Antes de arrancar el motor, aléjese al menos 3 metros del emplazamiento y la fuente de la gasolina.

AVISO

El combustible puede dañar la pintura y algunos tipos de plástico. Se debe tener cuidado de no derramar combustible al llenar el tanque. El daño causado por combustible derramado no está cubierto bajo la Garantía.

Recipiente de Almacenamiento de Combustible

Almacene la gasolina en un recipiente de plástico limpio y sellado, aprobado para el almacenamiento de combustible. Cierre la ventilación (si está incluida en el equipo) cuando no esté en uso y

guarde el recipiente fuera de la luz solar directa. Si el combustible del recipiente demora más de 3 meses en consumirse, le sugerimos que agregue un estabilizador al combustible cuando llene el recipiente. Si hubiera quedado un poco de combustible en el recipiente de almacenamiento al finalizar la temporada, la Agencia de Protección Ambiental (EPA, por sus siglas en inglés) recomienda agregar gasolina al tanque del vehículo).

ACEITE PARA MOTORES

El aceite es un factor muy importante que afecta el rendimiento y la vida de servicio. Siempre cambiar el aceite de conformidad con el programa de mantenimiento (página 34).

Aceite Recomendado

Consulte Figura 8, página 3.

Use un aceite para motores de 4 tiempos que cumpla o sobrepase los requisitos de API para la clasificación de servicio SJ o su equivalente. Verifique siempre la etiqueta de servicio de API en el recipiente de aceite para asegurarse que incluya las letras SJ o su equivalente.

Se recomienda SAE 10W-30 para uso general. Se pueden usar las otras viscosidades que figuran en el cuadro cuando la temperatura media de su área esté dentro de la gama indicada.

Verificación del nivel de aceite

Consulte Figura 8, página 3.

1. Revisar el aceite con el motor apagado y nivelado.
2. Quitar la tapa de llenado/varilla del nivel de aceite [1] y limpiarla.
3. Introducir la tapa de llenado/varilla del nivel de aceite en el cuello del llenado de aceite según lo ilustrado, pero no enroscarla; luego quitarla para verificar el nivel de aceite.
4. Si el nivel del aceite está cerca o por debajo de la marca del límite inferior [2] en la varilla, llenar con el aceite recomendado hasta la marca del límite superior [3] (borde inferior del orificio de llenado de aceite). No sobrellenar.
5. Volver a instalar la tapa de llenado/varilla del nivel de aceite [1].

Cambio de aceite

Consulte Figura 9, página 3.

Drene el aceite del motor mientras el motor está tibio. El aceite tibio se drena rápida y completamente.

1. Colocar un recipiente apropiado junto al motor para recibir el aceite usado.
2. Quitar la tapa de llenado/varilla del nivel de aceite [1] y el tapón de drenaje [2-3] del aceite.
3. Permitir que el aceite usado se drene completamente; luego volver a instalar el tapón de drenaje y la arandela. Apretar bien el tapón de drenaje.
Eliminar el aceite usado del motor de una manera compatible con el medio ambiente. Sugerimos que se lleve el aceite usado en un recipiente sellado al centro de reciclaje local o a una estación de servicio para su recuperación. No se debe tirar en la basura ni verter en el suelo o un drenaje.
4. Con el motor en una posición nivelada, llenar hasta la marca del límite superior (borde inferior del orificio de llenado de aceite) en la varilla con el aceite recomendado.

Capacidad aceite: 0.58 L

AVISO

Tener el motor en funcionamiento con un bajo nivel de aceite puede causar daño al motor.

5. Volver a instalar la tapa de llenado/varilla [1] del nivel de aceite con seguridad.

FILTRO DE AIRE

El mantenimiento adecuado del filtro de aire ayudará a evitar que ingrese suciedad en el motor. La suciedad que ingresa en el carburador puede ser absorbida por pequeños conductos que se encuentran dentro de éste y ocasionar el desgaste prematuro del motor. Tales conductos pequeños pueden obstruirse, lo que provoca problemas de encendido o funcionamiento. Utilice siempre un filtro de aire específico para su motor, a fin de garantizar que se selle y funcione según fue diseñado.

AVISO

El funcionamiento del motor sin un filtro de aire, o con un filtro dañado, permitirá la entrada de suciedad en el motor, causando un desgaste rápido del mismo. Este tipo de daño no está cubierto bajo la Garantía.

Inspección

Consultar la Figura 10, [página 3](#).

1. Presione las lengüetas de enganche [1] de la parte superior de la cubierta del filtro de aire [2] y quítela.
2. Retire el elemento de espuma [3] de la cubierta del limpiador de aire.
3. Retire la rejilla [4] del elemento de papel [5].
4. Compruebe ambos elementos para asegurarse de estén limpios y en buenas condiciones.
5. Vuelva a instalar la rejilla sobre el elemento de papel. Asegúrese de que la rejilla rodee los pliegues de papel.
6. Vuelva a instalar el elemento de espuma en la cubierta del limpiador de aire.
7. Asiente el elemento de papel y la rejilla en el cuerpo del limpiador de aire e instale la cubierta del limpiador de aire.

Limpieza

1. Golpee ligeramente el filtro [5] varias veces sobre una superficie dura para quitar la suciedad o sople aire comprimido [que no sobrepase las 207 kPa (2,1 kg/cm², 30 psi)] a través del filtro desde el lado limpio que enfrenta al motor. Nunca intente quitar la suciedad con una escobilla. El escobillado forzará la suciedad dentro de las fibras.
2. Elemento de espuma [3]: lave el elemento en una solución de detergente doméstico y agua tibia y, a continuación, aclárelo bien, o bien, lávelo en disolvente no inflamable o de temperatura de ignición muy alta. Deje que el elemento se seque bien. Impregne el elemento con aceite de motor y exprima el exceso de aceite. El motor emitirá humo durante el arranque inicial si se deja demasiado aceite en la espuma; asimismo, el aceite podría saturar el elemento de papel haciendo que el motor no funcione.
3. Limpie la suciedad del cuerpo [7] y de la cubierta del filtro de aire usando una alfombrilla húmeda. Tenga cuidado de evitar que la suciedad entre al conducto de aire [6] que lleva al carburador.

BUJÍA

Consulte Figura 11, [página 3](#).

Bujía necesario: NGK BPR6ES

La bujía necesario tiene la gama de calor correcta para las temperaturas de funcionamiento normales del motor.

AVISO

Las bujías incorrectas pueden dañar el motor.

Para obtener un buen rendimiento, la bujía debe tener la luz correcta y estar libre de depósitos.

1. Desconectar la tapa de la bujía y quitar toda la suciedad del área de la bujía.
2. Usar la llave para bujías [1] del tamaño correspondiente para quitar la bujía.
3. Revisar la bujía. Reemplazarla si está dañada, muy sucia, si la arandela selladora [2] está en malas condiciones o si electrodo está gastado.
4. Medir la luz del electrodo con una galga apropiada. La luz correcta es de 0,70-0,80 mm pulg. Si hace falta un ajuste, corregir el espacio doblando el electrodo de costado.
5. Instalar la bujía con cuidado, manualmente, para no cruzar la rosca.
6. Una vez asentada la bujía, apretarla con la llave para bujías del tamaño correspondiente para comprimir la arandela. Cuando se instala una bujía nueva, ajustarla 1/2 vuelta después de asentarla para comprimir la arandela. Cuando se vuelve a instalar la bujía original, apretarla 1/8 - 1/4 de vuelta después de asentarla para comprimir la arandela.

AVISO

Una bujía suelta puede volverse muy caliente y dañar el motor. Si se sobreaprieta la bujía, se pueden dañar las roscas en la tapa de cilindros.

7. Fijar el terminal del cable en la bujía.

PARACHISPAS (EQUIPO OPTATIVO)

Consulte Figura 12, [página 3](#).

El parachispas puede ser el estándar o uno opcional, dependiendo del tipo de motor. En algunas áreas, es ilegal operar un motor sin un parachispas. Verifique las leyes y regulaciones locales. Los concesionarios de servicio autorizados Honda tienen disponibles parachispas.

Al supresor de chispas se le debe realizar el servicio cada 100 horas para mantenerlo funcionando como se diseñó.

Si el motor ha estado en marcha, el silenciador estará caliente. Deje que se enfríe antes de realizar el servicio del supresor de chispas.

Remoción

1. Quitar los tres pernos [1] de 6 mm del protector del tubo de escape [2] y quitar el protector del tubo de escape.
2. Quitar los dos tornillos 4 mm [3] del parachispas [4] y quitar el parachispas del tubo de escape [5].

Limpieza e inspección del parachispas

1. Usar un cepillo para quitar los depósitos de carbón de la malla del parachispas. Reemplazar el parachispas si tiene roturas o agujeros.
2. Instalar el parachispas en el orden inverso a su remoción.

CÓMO ALMACENAR EL MOTOR

PREPARATIVOS PARA EL ALMACENAJE

La preparación correcta para el almacenamiento es esencial para que el motor se mantenga libre de problemas y conserve su buen aspecto. Los siguientes pasos ayudarán a impedir que la oxidación y la corrosión menoscaben el funcionamiento y el aspecto del motor, y facilitarán la puesta en marcha del motor cuando se lo vuelva a usar.

LIMPIEZA

Si el motor ha estado funcionando, permita que se enfríe durante al menos media hora antes de limpiarlo. Limpie todas las superficies externas, repare la pintura dañada y recubra otras áreas que se podrían oxidar con una ligera película de aceite.

AVISO

El uso de mangueras de jardín o equipos de limpieza a presión puede forzar agua en la abertura del filtro de aire o del tubo de escape. Si entra agua en el filtro de aire, empapará el filtro de aire, y el agua que pasa por el filtro de aire o el tubo de escape puede entrar en el cilindro, causando daño.

COMBUSTIBLE

AVISO

Según la región donde opere el equipo, las fórmulas del combustible pueden deteriorarse y oxidarse rápidamente. El deterioro y la oxidación del combustible pueden ocurrir en tan solo 30 días y esto puede dañar el carburador y/o el sistema de combustible. Hable con su agente de mantenimiento para conocer las recomendaciones de almacenamiento local.

La gasolina se oxida y deteriora durante el almacenamiento. La gasolina deteriorada causa problemas para arrancar y deja depósitos de goma que pueden obstruir los conductos pequeños del sistema de combustible. Si la gasolina en el motor se deteriora durante el almacenamiento, tal vez deba hacerle mantenimiento al carburador y a los otros componentes del sistema de combustible, o reemplazarlos.

El período durante el cual se puede dejar gasolina en el tanque de combustible y el carburador sin causar problemas funcionales variará según factores tales como la calidad de la gasolina, las temperaturas de almacenamiento y si el tanque de combustible está parcial o completamente lleno. El aire en un tanque de combustible parcialmente lleno promueve el deterioro del combustible. Temperaturas de almacenamiento muy altas aceleran el deterioro del combustible. Los problemas con el combustible pueden ocurrir en el espacio de pocos meses o aún menos si la gasolina con la cual se llenó el tanque no era fresca.

Si usted mantiene un recipiente con gasolina para el reabastecimiento, asegúrese que sólo contiene gasolina fresca. El combustible del recipiente de almacenamiento demora más de 3 meses en consumirse; sugerimos agregar un estabilizador al combustible cuando llene el recipiente.

Ni el daño al sistema de combustible ni los problemas de rendimiento del motor provocados por la negligencia en la preparación del almacenamiento están cubiertos bajo la *Garantía*.

Entreposage de courte durée (30-90 jours)

Si el equipo no se utilizará durante 30 y 90 días, recomendamos las siguientes pautas para evitar problemas relacionados con el combustible:

1. Agregue el estabilizador para la gasolina siguiendo las instrucciones del fabricante.

Cuando agregue un estabilizador para la gasolina, llene el tanque de combustible con gasolina fresca. Si sólo está parcialmente lleno, el aire en el tanque promoverá el deterioro del combustible durante el almacenaje.

Nota:

- Todos los estabilizadores tienen una vida útil, y su rendimiento se deteriora con el tiempo.
 - Los estabilizadores no reconstituyen el combustible que está en malas condiciones.
2. Después de agregar el estabilizador para la gasolina, ponga en marcha el motor al aire libre por 10 minutos para asegurarse que

la gasolina tratada reemplazó a la gasolina no tratada en el carburador.

Almacenamiento a largo plazo o estacional (superior a los 90 días)

⚠ ADVERTENCIA

La gasolina es altamente inflamable y combustible. Usted puede quemarse o lesionarse gravemente al manipular el combustible.

- Se debe apagar el motor y mantener lejos las fuentes de calor, chispas y llamas.
- Se debe reabastecer únicamente al aire libre.
- Se deben limpiar los derrames inmediatamente.

1. Usar una bomba tipo sifón (disponible comercialmente) y pasar el combustible del tanque a un recipiente aprobado para contener gasolina.
2. Colocar un recipiente aprobado para contener gasolina debajo del carburador y usar un embudo para no derramar el combustible.
3. Aflojar el tornillo de drenaje [2] del carburador y drenarlo en un recipiente aprobado para contener gasolina. Una vez completado el drenaje, apretar el tornillo de drenaje del carburador.

ACEITE DEL MOTOR

1. Cambiar el aceite del motor ([página 35](#)).
2. Quitar la bujía ([página 36](#)).
3. Verter 1 - 2 cucharaditas de (5-10 cc) de aceite para motores limpio en el cilindro.
4. Tirar del arrancador de retroceso varias veces para distribuir el aceite.
5. Volver a instalar la bujía.

PRECAUCIONES DE ALMACENAMIENTO

Si el motor ha de almacenarse con gasolina en el tanque de combustible y en el carburador, es importante reducir el peligro de que se encienda el vapor de gasolina. Seleccione un área de almacenamiento bien ventilada, lejos de todo aparato que funcione con llamas, como un horno, calentador de agua o secadora de ropa. Evite también toda área que contenga motores eléctricos que producen chispas o donde se utilicen herramientas de potencia.

En lo posible, evite las áreas de almacenamiento con mucha humedad, porque promueven la oxidación y la corrosión.

Mantenga el motor nivelado durante su almacenamiento. La inclinación puede causar pérdidas de combustible o aceite.

Con el motor y el sistema de escape fríos, cubra el motor para protegerlo contra el polvo. Motores y sistemas de escape calientes pueden encender o fundir algunos materiales. No use láminas de plástico como cubiertas protectoras. Las cubiertas no porosas atrapan humedad alrededor del motor, promoviendo la oxidación y la corrosión.

Remoción del Almacenamiento

Revise su motor de la manera descrita en la sección de **VERIFICACIONES ANTES DE LA PUESTA EN MARCHA** de este manual ([página 32](#)).

Si se drenó el combustible durante la preparación para el almacenamiento, llene el tanque con gasolina fresca. Si usted guarda un recipiente de gasolina para el reabastecimiento, asegúrese que contenga sólo gasolina fresca. La gasolina se oxida y deteriora con el tiempo, causando dificultades para arrancar.

Si el cilindro fue recubierto con aceite durante la preparación para el almacenamiento, el motor humeará brevemente cuando se lo ponga en marcha. Esto es normal.

TRANSPORTE

Mantenga el motor nivelado mientras se lo transporta para reducir la posibilidad de pérdidas de combustible.

Revise las instrucciones que acompañan al equipo que viene con este motor para cualquier procedimiento que se recomiende en caso de transporte.

CÓMO SOLUCIONAR PROBLEMAS IMPREVISTOS

EL MOTOR NO ARRANCA

POSIBLE CAUSA	CORRECCIÓN
El cebador está ABIERTO.	Tirar del cebador hasta la posición de CERRADO a menos que el motor esté caliente.
El interruptor de encendido está apagado.	<ul style="list-style-type: none">Mover la palanca del estrangulador a la posición de LENTO o RÁPIDO.Mover la palanca del interruptor de encendido a la posición de ENCENDIDO.Mover el interruptor de parada del motor a la posición de ENCENDIDO.
El nivel de aceite del motor está bajo (modelos con Oil Alert).	Llenar con el aceite recomendado hasta el nivel correcto.
No tiene combustible.	Reabastecer.
El combustible está malo; se almacenó el motor sin tratar o drenar la gasolina, o se reabasteció con gasolina mala.	Drenar el tanque de combustible y el carburador. Reabastecer con gasolina fresca.
La bujía está defectuosa, sucia o con la luz mal ajustada.	Reemplazar la bujía (página 36).
La bujía está mojada con combustible (motor ahogado).	Secar y volver a instalar la bujía. Dar arranque al motor con la palanca del estrangulador en la posición de RÁPIDO (cebador en la posición de ABIERTO).
El filtro de combustible está obstruido, el carburador funciona mal, el encendido funciona mal, las válvulas están pegadas, etc.	Llevar el motor a un concesionario autorizado de servicios de Honda o consultar el manual del taller.

EL MOTOR NO TIENE FUERZA

POSIBLE CAUSA	CORRECCIÓN
El filtro está obstruido.	Limpiar o reemplazar el filtro.
El combustible está malo; el motor se almacenó sin tratar o drenar la gasolina o se reabasteció con gasolina mala.	Drenar el tanque de combustible y el carburador (página 36). Reabastecer con gasolina fresca.
El filtro de combustible está obstruido, el carburador funciona mal, el encendido funciona mal, las válvulas están pegadas, etc.	Llevar el motor a un concesionario autorizado de servicios de Honda o consultar el manual del taller.

INFORMACIÓN TÉCNICA

Ubicación del Número de Serie

Figura on [página 31](#).

Registre el número de serie [2] del motor en el siguiente espacio. Necesitará esta información para pedir partes y hacer averiguaciones técnicas o sobre la garantía.

MODEL	SERIE DEL MOTOR	TIPO
GS160 or 190	_____ - _____	_____
Fecha de compra		

Modificaciones del carburador para el funcionamiento en altas elevaciones

En altas elevaciones, la mezcla estándar de aire y combustible es demasiado rica. El rendimiento disminuye y el consumo de combustible aumenta. Una mezcla demasiado rica también ensucia la bujía y causa dificultades en el arranque. El funcionamiento durante períodos prolongados en una elevación distinta a aquella en la cual se certificó el motor podría aumentar las emisiones.

Se puede mejorar el rendimiento en altas elevaciones con modificaciones específicas en el carburador. Si siempre se usa el motor en elevaciones mayores a 610 metros, el concesionario de servicios puede realizar esta modificación en el carburador. Cuando este motor funciona en una elevación alta con las modificaciones en el carburador para uso en altas elevaciones, observará cada norma de emisión durante su vida útil.

Aún con la modificación del carburador, el caballaje del motor disminuirá en alrededor de un 3,5% por cada 300 metros de aumento de la elevación. El efecto de la elevación en el caballaje será mayor si no se realiza la modificación del carburador.

Cuando use motores con reguladores automáticos, es posible que se reduzca la capacidad de ralentizar a 2500 rpm. Consulte a un agente de mantenimiento para obtener más información sobre los ajustes si la unidad del regulador automático no ralentiza con la carga liberada o si tiene problemas para volver a la cantidad completa de rpm con la carga aplicada.

AVISO

Cuando el carburador se modifica para funcionar en altas elevaciones, la mezcla de aire y combustible es demasiado pobre para usarse a bajas elevaciones. El funcionamiento en elevaciones menores de 610 metros con un carburador modificado podría hacer que el motor se sobrecaliente y cause daños importantes en el motor. Para el uso en bajas elevaciones, pida al proveedor de servicios que vuelva a ajustar el carburador en las especificaciones de fábrica originales.

INFORMACIÓN SOBRE EL SISTEMA DE CONTROL

Fuente de Emisiones

El proceso de combustión produce monóxido de carbono, óxidos de nitrógeno e hidrocarburos. El control de los hidrocarburos y los óxidos de nitrógeno es muy importante porque, en ciertas condiciones, reaccionan para formar humo fotoquímico cuando se someten a la luz del sol. El monóxido de carbono no reacciona del mismo modo, pero es tóxico.

Honda utiliza proporciones de aire/combustible apropiadas y otros sistemas de control de emisiones para reducir las emisiones de monóxido de carbono, óxidos de nitrógeno e hidrocarburos. Asimismo, los sistemas de combustible de Honda utilizan componentes y tecnologías de control para reducir las emisiones evaporativas.

La Ley de Aire Limpio de los EE. UU., California y Environment and Climate Change Canada (ECCC)

Las regulaciones de EPA, de California y Canadá estipulan que todos los fabricantes deben proporcionar instrucciones escritas que describan la operación y el mantenimiento de los sistemas de control de las emisiones de escape.

Las siguientes instrucciones y procedimientos deben seguirse para que las emisiones del motor Honda se mantengan dentro de las normas de emisión.

Manipulaciones y alteraciones

AVISO

La manipulación es una violación de la ley federal y de California.

Las manipulaciones o alteraciones del sistema de control de emisiones podrían aumentar las emisiones más allá del límite legal. Entre los actos que constituyen manipulación se encuentran los siguientes:

- Remoción o alteración de cualquier parte de los sistemas de admisión, combustible o escape.
- Alteraciones que harían que el motor funcionara fuera de sus parámetros de diseño.

Problemas que podrían afectar las emisiones

Si usted observa cualquiera de los siguientes síntomas en su motor, hágalo examinar y reparar por un concesionario de servicios.

- Dificultad para arrancar o caladas después del arranque.
- Marcha irregular en vacío.
- Fallo de encendido o explosiones al carburador bajo carga.
- Combustión retardada (explosiones al carburador).
- Humo de escape negro o alto consumo de combustible.

Repuestos

Los sistemas de control de emisiones en su nuevo motor Honda fueron diseñados, construidos y certificados para cumplir con las regulaciones de emisiones de la EPA, California (modelos certificados para la venta en California) y Canadá. Recomendamos el uso de piezas originales de Honda cada vez que realice mantenimiento. Estas piezas de repuesto de diseño original se fabrican con los mismos estándares que las piezas originales, por lo que puede confiar en su rendimiento. Honda no puede denegar la cobertura bajo la garantía de emisión únicamente para el uso de piezas de repuesto o servicios que no sean de Honda y que se realicen en un lugar que no sea un concesionario autorizado de Honda; puede usar piezas comparables certificadas por la EPA y realizar el servicio en ubicaciones que no sean de Honda. Sin embargo, el uso de piezas de repuesto que no sean del diseño original y la calidad puede afectar la efectividad de su sistema de control de emisiones.

El fabricante de una parte posmercado asume la responsabilidad de que la parte no afecte en forma adversa el rendimiento de la emisión. El fabricante o remanufacturador de la parte debe certificar que el uso de la parte no hará que el motor deje de cumplir con los reglamentos de emisión.

Mantenimiento

Como propietario del motor del equipo motor, usted es responsable de completar todo el mantenimiento requerido que se detalla en el manual del propietario. Honda recomienda que conserve todos los recibos que cubren el mantenimiento del motor de su equipo motor, pero Honda no puede negar la cobertura de la garantía únicamente por la falta de recibos o por su falla al asegurarse de que se haya completado todo el mantenimiento programado.

Siga el programa de mantenimiento en la [página 34](#). Recuerde que este programa se basa en el supuesto que la Honda máquina se utilizará para el fin designado. El funcionamiento sostenido de alta carga o alta temperatura, o el uso en condiciones inusualmente polvorosas, requerirá un servicio más frecuente.

Índice de aire

(Modelos certificados a la venta en California)

Se fija una etiqueta o un rótulo colgante con información del índice de aire a motores certificados para un período de duración de emisiones de acuerdo con los requisitos del Consejo de Recursos Aéreos de California.

El gráfico de barras le provee a usted, nuestro cliente, la capacidad para comparar el rendimiento de las emisiones de los motores disponibles. Cuanto menor es el índice de aire, tanto menor es la contaminación.

La descripción de la duración provee información en cuanto al período de duración de las emisiones del motor. El término descriptivo indica el período de vida útil para el sistema de control de emisiones del motor.

Término descriptivo	Aplicable al período de duración de las emisiones
Moderado	50 horas (0-80 cc inclusivo) 125 horas (más de 80 cc)
Intermedio	125 horas (0-80 cc inclusivo) 250 horas (más de 80 cc)
Prolongado	300 horas (0-80 cc inclusivo) 500 horas (más de 80 cc) 1000 horas (225 cc y más grande)

ESPECIFICACIONES

GS160

Largo x ancho x alto	337 x 369 x 343 mm
Peso en seco	13,6 kg
Tipo de motor	4 tiempos, árbol de levas superior, monocilíndrico
Desplazamiento [diámetro x recorrido]	160 cm ³ [64 x 50 mm]
Capacidad aceite para motores	0,58 L
Capacidad del tanque de combustible	1,8 L
Sistema de enfriamiento	Aire forzado
Sistema de encendido	Magneto transitorizado
Rotación del eje de la PTO (toma de fuerza)	Sentido contrario al de las agujas del reloj

GS190

Largo x ancho x alto	345 x 372.5 x 343 mm
Peso en seco	13,8 kg
Tipo de motor	4 tiempos, árbol de levas superior, monocilíndrico
Desplazamiento [diámetro x recorrido]	187 cm ³ [69 x 50 mm]
Capacidad aceite para motores	0,58 L
Capacidad del tanque de combustible	1,8 L
Sistema de enfriamiento	Aire forzado
Sistema de encendido	Magneto transitorizado
Rotación del eje de la PTO (toma de fuerza)	Sentido contrario al de las agujas del reloj

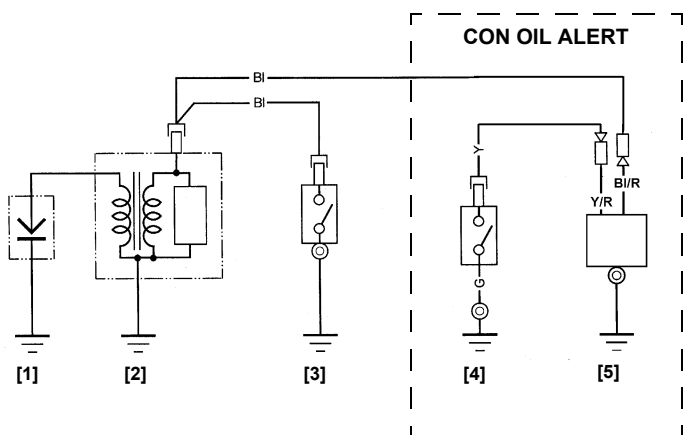
Especificaciones del reglaje

ÍTEM	ESPECIFICACIÓN	MANTENIMIENTO
Luz de bujía	0,7-0,8 mm	Consultar la página 36 .
Tolerancia de válvulas (en frío)	ADM: 0,15 ± 0,04 mm ESC: 0,20 ± 0,04 mm	Consulte su distribuidor de Honda autorizado.
Otras especificaciones	No hacen falta ajustes adicionales.	

Información de referencia rápida

Combustible	Tipo	Gasolina sin plomo con octanaje de 86 o más (página 35).
Aceite para motores	Tipo	SAE 10W-30, API SJ, para uso general. Consultar la página 35.
Carburador	Velocidad en vacío	1.400 ± 150 rpm
Bujía	Tipo	BPR6ES (NGK)
Mantenimiento	Antes de cada uso	Revisar nivel de aceite del motor. Consultar la página 35. Revisar el filtro de aire. Consultar la página 36.
	Primeras 5 horas	Cambiar el aceite del motor. Consultar la página 35.
	Después	Consultar el programa de mantenimiento en la página 34.

Diagrama de Conexiones



- [1] BUJÍA
- [2] BOBINA DE ENCENDIDO
- [3] INTERRUPTOR DE ENCENDIDO (posición normal en ABIERTO)
- [4] INTERRUPTOR DEL NIVEL DE ACEITE (posición normal en ABIERTO)
- [5] UNIDAD OIL ALERT

MOTOR	POSICIÓN DEL INTERRUPTOR EN
EN MARCHA	ABIERTO
APAGADO	CERRADO

NIVEL DE ACEITE	POSICIÓN DEL INTERRUPTOR EN	MOTOR
NORMAL	ABIERTO	EN MARCHA
NIVEL BAJO	CERRADO	APAGADO

BI	Negro	Br	Marrón
Y	Amarillo	O	Anaranjado
Bu	Azul	Lb	Celeste
G	Verde	Lg	Verde claro
R	Rojo	P	Rosa
W	Blanco	Gr	Gris

INFORMACIÓN PARA EL CONSUMIDOR

PUBLICACIONES DE HONDA

El distribuidor de Honda dispone de otros dos documentos. Existe un *Manual de Taller* que cubre todos los procedimientos de mantenimiento y revisión y que se destina al técnico especializado. Hay también un *Catálogo de Piezas* que proporciona una lista completa de piezas ilustradas.

Información de servicio de clientes

El personal de los concesionarios de servicio son profesionales entrenados. Ellos podrán contestar a cualquier pregunta que usted les haga. Si se encuentra con un problema que su concesionario no puede resolver para dejarle satisfecho, comuníquese al jefe del concesionario. El jefe de servicio, el director general, o el propietario podrán ayudarle. Casi todos los problemas se resuelven de este modo.

Si no queda satisfecho con la decisión tomada por los jefes del concesionario, póngase en contacto con el distribuidor regional de motores Honda de su localidad.

Si todavía no está satisfecho después de hablar con el distribuidor de motor regional, podrá ponerse en contacto con la Oficina de Honda como se muestra.

<Oficinas Honda>

Cuando escriba o llame, tenga la amabilidad de incluir la información siguiente:

- Nombre del fabricante y número de modelo del equipo al que se ha montado el motor
- Modelo, número de serie, y tipo del motor
- Nombre del concesionario que le vendió el motor
- Nombre, dirección, y persona de contacto del concesionario que realiza el servicio de su motor
- Fecha de adquisición
- Su nombre, dirección y número de teléfono
- Una descripción detallada del problema

EVITANDO PROBLEMAS RELACIONADOS CON EL COMBUSTIBLE

PRODUCTOS IMPULSADOS POR MOTORES GS

Cuando se mantiene adecuadamente, su producto de fuerza Honda debe brindarle años de funcionamiento libre de problemas. Esto incluye el sistema de combustible. Sin embargo, la gasolina puede deteriorarlo rápidamente (en tan solo 30 días), ocasionando problemas de arranque o funcionamiento y, en algunos casos, daño al sistema de combustible. La mayoría de los problemas relacionados con el combustible pueden evitarse siguiendo las precauciones a continuación. El daño al sistema de combustible y los problemas de rendimiento del motor ocasionados por combustible deteriorado no están cubiertos por la Garantía Limitada del Distribuidor.

Siga estas precauciones para prevenir la mayoría de los problemas relacionados con el combustible

Durante la estación en funcionamiento	Motivo
No utilice gasolina que contiene más de 10% de etanol (E10). No todas las gasolinas automotrices son seguras para que sean utilizadas en su producto de fuerza.	Altos niveles de etanol en la gasolina atrae el agua y puede corroer o dañar el sistema de combustible y ocasionar problemas de desempeño.
Almacene la gasolina en un envase limpio, plástico y sellado aprobado para almacenaje de combustible. Almacene su envase de suministro de combustible lejos de la luz solar; si el envase tiene ventilación, manténgalo cerrado.	Un envase plástico eliminará el riesgo que ingrese al sistema de combustible el óxido y los contaminantes metálicos provenientes de un envase metálico. La gasolina se deteriorará más rápido cuando se expone a la luz solar y el aire.
Compre solamente suficiente gasolina que perdure de 1 a 2 meses (aproximadamente de 30 a 60 días). Si usted compra suficiente gasolina que perdure más de 60 días, agregue un estabilizador de combustible a su envase cuando lo llene.	La gasolina se deteriora con el paso del tiempo, así que evite almacenarla por largos periodos de tiempo, especialmente durante la época de calor en el verano. Un estabilizador de combustible extenderá la vida útil de la gasolina, pero no reconstituirá la degeneración del combustible.
Cuando no utilice su producto mantenga el tanque de combustible lleno con combustible fresco.	Si el tanque de combustible se ha llenado parcialmente, el aire en el tanque fomentará el deterioro del combustible.
Mantenga el filtro de aire limpio y con el servicio adecuado. Verifíquelo antes de cada uso.	Un filtro de aire mantenido adecuadamente ayudará a prevenir que ingrese sucio al carburador. Los ductos pequeños dentro del carburador se pueden bloquear.
1 a 3 meses antes del siguiente uso	Motivo
Si usted no agregó un estabilizador de combustible a su envase de almacenaje de combustible cuando lo llenó, llene el tanque de combustible de su producto con gasolina fresca.	Si el tanque de combustible se ha llenado parcialmente, el aire en el tanque fomentará el deterioro del combustible.
Agregue estabilizador de combustible al tanque de combustible del producto de acuerdo con las instrucciones del fabricante del estabilizador.	Un estabilizador de combustible extenderá la vida útil de la gasolina, pero no reconstituirá la degeneración del combustible.
Haga que el motor funcione en un área exterior por 10 minutos.	Esto asegura que la gasolina condicionada ha sido reemplazada con la gasolina no-condicionada a lo largo del sistema de combustible.
Más de 3 meses antes del siguiente uso	Motivo
Arranque el motor y déjelo funcionar lo suficientemente para vaciar toda la gasolina del sistema de combustible completo, incluyendo el tanque de combustible. No permita que quede gasolina en el tanque de combustible de su producto por más de 3 meses (aproximadamente 90 días) de inactividad.	Todos los estabilizadores de combustible tienen una vida útil. Es una buena práctica vaciar el sistema de combustible por largos periodos de inactividad.

INFORMACIÓN DE SERVICIO AL CLIENTE DE MEXICO LA AMÉRICA CENTRAL Y AMÉRICA DEL SUR

Argentina

Honda Motor De Argentina
Av. Del Libertador 1613
Vicente Lopez, Buenos Aires- Argentina
Phone: (54) 11-4000-4500
Fax: (54) 11-4000-4912
www.hondamotor.com.ar

Bolivia

Agencias Generales S.A.
Calle Bolivar E 520
Cochabamba Boliva
Phone: 591.4.4251062
Fax: 591.4.4257615
www.agsa.com

Belize

Benny's Enterprise Ltd.
2-1/2 Miles Northern Highway
Belize City, Belize C.A.
Phone: 501-223-0550
Fax: 501-223-0019
www.bennys.bz

Brazil

Moto Honda Da Amazonia Ltd.
Estrada Municipal Valencio Calegari, 777
Av Interna, 6 - Predio 7A
Nova Veneza - Sumare
San Paulo, Brazil 13186-524
Phone: 011-55-115-576-5467
Fax: 011-55-115-421 2355
www.honda.com.br

Chile

Honda Motor de Chile S.A.
San Ignacio 031, Quilicura
Santiago, Chile
Phone: 562-270-9820
Fax: 562-738-6511
www.hondamotor.cl

Colombia

Energia & Potencia S.A.
Carrera 45 A #66A-100
Itagui, Antioquia, Colombia
Phone: 574-378-6100
Fax: 574-374-0411
www.energiaypotencia.com

Costa Rica

Franz Amrhein & Co., S.A. (FACO S.A.)
PO Box 1766
San Jose, Costa Rica
Phone: 001-506-23-91-66
Fax: 011-506-33-00-38

**Sociedad Anonima De Vehiculos
Automotores DBA: SAVA**
100 mts este de la plaza
De deportes de La Uruca,
San Jose, Costa Rica 10042-1000
Phone: 506.2284.8905
Fax: 506.2221.5570

El Salvador

**Servicio Agrícola Salvadoreño S.A.
De C.V.**
KM3 Blvd. Del Ejercito Nacional
San Salvador, El Salvador
Phone: 503 2205 2700
Fax: 503 2205 2703
www.sagrisa.com

Guatemala

Agencia Y Fabrica Honda, S.A.
15 Avenida Blvd. Los Proceres
17-55 zona 10
Guatemala
Phone: 502-2244-3838
Fax: 502-2420-3802
www.honda.com.gt

Honduras

**Bombas y Motores de Honduras,
S.A. De C.V. - (BOMOSHA)**
Ave. Nueva Orleans No. 230
San Pedro Sula, Honduras
Phone: 504 556-6611
Fax: 504 2556-6617
www.bomohsa.com

México

Honda De México S.A. De C.V.
7250 Carretera A El Castillo
El Salto, Jalisco, Mexico
Phone: (52) 36-88-01-01
Fax: (52) 36-89-03-39
www.honda.com.mx

Panama

Comercial Forza S.A.
Calle 7 Avenida 5
Manzana 40 Lote 4,5,6
France Field
Zona Libre, Colon Panama
Phone: 574-315-2900
Fax: 574-318-1660
www.comforza.com

Uruguay

Nanvel S.A.
Uruguayana 3402/08
Montevideo, Uruguay 11700
Phone: 598 2308-8301
Fax: 598 2308-0279
www.nanvel.com.uy

Venezuela

Honda de Venezuela C.A.
Av. Roosevelt, Galpón # 1, Padro de María
Caracas, Venezuela
Phone: (58) 212-631-8030
Fax: (58) 212-631-8030
www.hondadevenezuela.com.ve

Honda General Purpose Engine International Warranty

The Honda General Purpose Engine installed on this brand product is covered by a Honda General Purpose Engine Warranty, on the following assumptions.

- The warranty conditions conform to those for the general purpose engine established by Honda for each country.
- The warranty conditions apply to engine failures caused by any manufacturing or specification problem.
- The warranty does not apply to countries where there is no Honda distributor.

To obtain warranty service:

You must take your Honda general purpose engine, or the equipment in which it is installed, together with proof of original retail purchase date to a Honda engine dealer authorized to sell that product in your country or the dealer who you purchased your product from. To locate a Honda distributor/dealer near you or check warranty condition in your country, visit our global service information website <https://www.hppsv.com/ENG/> or contact distributor in your country.



<https://www.hppsv.com/ENG/>

Exclusions:

This engine warranty does not include the following:

1. Any damage or deterioration resulting from the following:
 - Neglect of the periodic maintenance as specified in the engine owner's manual
 - Improper repair or maintenance
 - Operating methods other than those indicated in the engine owner's manual
 - Damage caused by the product on which the engine is installed
 - Damage caused by conversion to, or use of, fuel other than the fuel(s) that the engine was originally manufactured to use, as set forth in the engine owner's manual and/or warranty booklet
 - The use of non-genuine Honda parts and accessories, other than those approved by Honda (other than recommended lubricants and fluids) (does not apply to the emissions warranty unless non-genuine part used is not comparable to Honda part and was cause of the failure)
 - Exposure of the product to soot and smoke, chemical agents, bird droppings, sea water, sea breeze, salt or other environmental phenomena
 - Collision, fuel contamination or deterioration, neglect, unauthorized alteration, or misuse
 - Natural wear and tear (natural fading of painted or plated surfaces, sheet peeling and other natural deterioration)
2. Consumable parts: Honda does not warrant parts deterioration due to normal wear and tear. The parts listed below are not covered by warranty (unless they are needed as a part of another warranty repair):
 - Spark plug, fuel filter, air cleaner element, clutch disc, recoil starter rope
 - Lubricant: oil and grease
3. Cleaning, adjustment, and normal periodic maintenance work (carburetor cleaning and engine oil draining).
4. Use of the Honda general purpose engine for racing or competition.
5. Any engine that is part of a product that has ever been declared a total loss or sold for salvage by a financial institution or insurer.

en

本田通用发动机国际保修

该品牌产品中安装的本田通用发动机包含有下列前提下的本田通用发动机保修承诺。

- 保修条件应符合本田针对各国制定的通用发动机的保修条件。
- 保修条件适用于因任何制造或规格问题所造成的发动机故障。
- 该保修不适用于无本田经销商的国家。

若要获得保修服务:

您必须携带本田通用发动机 (或安装了发动机的设备) 和原始零售购买日期证明, 前往您在国家或地区的授权本田发动机经销商处, 或是您购买产品的经销商处。请访问我们的全球服务信息网站 <https://www.hppsv.com/ENG/> 或联系您在国家或地区的经销商, 以定位您附近的本田批发商/经销商或检查保修情况。



<https://www.hppsv.com/ENG/>

例外:

本发动机保修不包括以下内容:

1. 由于以下任何情况造成的损伤和劣化:
 - 忽视发动机用户手册中指定的定期维护
 - 错误维修或维护
 - 操作方式不同于发动机用户手册中指定的类型
 - 由安装了发动机的产品造成的损伤
 - 由于转换或使用发动机初始出厂时指定使用燃料之外的燃料造成的损伤, 燃料信息已在发动机用户手册和/或保修手册中列出
 - 使用非本田原厂部件和配件 (除了本田批准的部件和配件, 但是不包含推荐润滑剂和流体) (此限制不适用于排放保证, 但在非原厂部件与本田部件不兼容且是故障的原因时适用)
 - 将产品暴露于油烟和烟雾、化学药剂、鸟粪、海水、海风、盐或其他环境现象
 - 碰撞、燃料污染或劣化、疏忽、未经授权的改装或滥用
 - 自然磨损 (油漆或电镀表面的自然褪色、片状剥落和其他自然劣化)
2. 易损件: 本田不为正常磨损造成的部件劣化提供保修。下列列出的部件不在保修涵盖范围之内 (除非它们是其他保修维修的组成部分):
 - 火花塞、燃油滤清器、空气滤清器部件、离合器片、反冲起动器绳索
 - 润滑油: 润滑油或润滑脂
3. 清洁、调整和正常定期维护工作 (化油器清洗和机油排出)。
4. 将本田通用发动机用于竞速或竞赛。
5. 任何作为曾被宣布为全损产品或是由金融机构或保险公司销售以进行拯救残余价值产品一部分的发动机。

zh-cn

Honda汎用エンジン インターナショナルワランティのご案内

このOEM製品に搭載されたHonda汎用エンジンにはHondaの保証が適用されます。基本的な考え方は以下の通りです。

- 保証条件は、その国においてHondaが定めている汎用エンジンの保証条件に従います。
- エンジン修理の原因が製造上、仕様上のトラブルによるものである場合に保証が適用されます。
- その国にHondaディストリビューターが無い場合は、保証は受けられません。

保証修理の受け方

製品購入日を証明するものと共にお買い上げになったHonda汎用エンジンもしくは、Honda汎用エンジンが搭載されたOEM製品を、その国のHonda認定の汎用エンジン販売・サービス店、又はOEM製品をお買い上げになった販売店へお持ち下さい。お近くのHondaディストリビューター・サービス店情報ならびに各国における保証条件の検索は弊社のグローバルサービス情報サイト<https://www.hppsv.com/ENG/>にアクセス頂くか、もしくは各国のHondaディストリビューターにお問合せ下さい。



<https://www.hppsv.com/ENG/>

保証適用外項目

以下の項目は、別途書面による取り決めがない限り、Hondaの保証の対象外とする。

1. 以下の結果によるいかなる損傷や劣化:
 - 取扱説明書に記載されている定期メンテナンスを怠った結果によるもの
 - Hondaの指定する以外の方法による修理やメンテナンスの結果によるもの
 - 取扱説明書に記載されている以外の使用方法で使用した結果によるもの
 - エンジンが搭載されているOEM製品側の原因によるもの
 - 取扱説明書、保証書等に記載されている以外の燃料を使用した結果によるもの
 - Hondaが認めていない非純正品、アクセサリを使用した結果によるもの (推奨オイル、フルード等を除く。但し、非純正品、アクセサリ等を使用しても、それが不具合の原因でない場合限り、米国・カナダにおけるエミッションワランティは適用されます)
 - 埃や煙、化学薬品、鳥糞、海水、潮風、塩やその他の環境要因に晒された結果によるもの
 - 衝突、燃料への異物混入もしくは燃料劣化、放置、不正な改造もしくは悪用した結果によるもの
 - 経年劣化によるもの (塗装、塗装表面の色あせ、剥がれやその他の自然劣化)
2. 消耗部品: Hondaは自然磨耗による部品の劣化については保証をしない。以下は保証適用外とする。(保証修理の一部として必要な場合を除く)
 - スパークプラグ、燃料フィルター、エアクリナーエレメント、クラッチディスク、リコイルスターローブ
 - 油脂類: オイル、グリス
3. 清掃、調整、定期メンテナンス (キャブレタ清掃、エンジンオイル抜油等)
4. レース、競技目的での使用における損傷
5. 金融機関や保険業者により届出された盗難品や廃棄利用目的で再販されたOEM製品に搭載されたエンジン

ja

本田通用引擎國際保固

該品牌產品中安裝的本田通用引擎包含有下列前提的本田通用引擎國際保固。

- 保固條件應符合本田針對各國制定的通用引擎的保固條件。
- 保固條件適用於因任何製造或規格問題所造成的引擎故障。
- 該保固不適用於無本田經銷商的國家。

如何使您的產品得到保固修理:

您必須將本田通用引擎或所安裝的設備連同原始零售購買日期的證明送至銷售該產品的國內授權本田引擎經銷商或您原先購買產品的經銷商。若要找出您附近的本田批發商/經銷商或檢查在國內的保固情形, 請造訪我們的全球服務資訊網站 <https://www.hppsv.com/ENG/> 或聯絡國內的批發商。



<https://www.hppsv.com/ENG/>

排除:

本引擎保固不涵蓋下列部份:

1. 由於下列狀況導致的損壞或劣化:
 - 未進行引擎使用手冊所述的定期維護
 - 不當修理或維護
 - 並非引擎使用手冊所述的運轉方式
 - 安裝引擎的產品所造成的損壞
 - 轉換或使用並非引擎使用手冊及/或保固小冊子所述的引擎適用燃油所造成的損壞
 - 使用未經本田核可的非本田正廠零件和配件 (非建議潤滑油及油品) (不適用於排放保固, 除非使用的非原廠零件在性能上不如本田零件, 而且是造成故障的原因)
 - 產品暴露於煙塵和煙霧、化學製劑、鳥糞、海水、海風、鹽或其他環境現象
 - 碰撞、燃料污染或變質、疏忽、未經授權的變更, 或濫用
 - 自然磨損 (油漆或電鍍表面自然脫落、整片剝落及其他自然劣化)
2. 耗材零件: 本田對於自然磨損的零件劣化不提供保固。下列零件不在保固之列 (除非是其他保固維修所需的一部份):
 - 火星塞、燃油濾清器、空氣濾清器濾芯、離合器碟片、反衝起動索
 - 潤滑油: 機油及潤滑脂
3. 清潔、調整和一般定期維護工作 (化油器清洗和引擎機油排放)。
4. 將本田通用發動機用於竞速或竞赛。
5. 曾經被宣布為整體損失或金融機構或保險公司拋銷的產品一部分的任何引擎。

zh-tw

Honda 범용엔진 보증수리

이 브랜드 제품에 장착된 Honda 범용엔진은 Honda 보증수리 기준에 따라 다음과 같이 적용됩니다.
 - 각 나라별 Honda가 정한 범용엔진 보증조건을 따릅니다.
 - 엔진결합의 원인이 제조상 또는 제원상일 경우에 보증조건을 따릅니다.
 - 보증수리는 Honda 디스트리뷰터가 없는 나라에서는 적용되지 않습니다.

보증 서비스를 받으려면:

정품을 구매한 날짜가 적힌 증명 서류와 함께 Honda 범용엔진 또는 이 엔진이 장착된 장비를 해당 국가에서 제품을 판매할 권한이 있는 Honda 엔진 딜러 또는 제품을 구매한 딜러에게 가져가야 합니다. Honda 디스트리뷰터 또는 인근 딜러를 찾거나 해당 국가의 보증조건을 확인하려면 글로벌 서비스 정보 웹 사이트 (<https://www.hppsv.com/ENG/>) 를 방문하거나 해당 국가의 디스트리뷰터에 문의하십시오.



<https://www.hppsv.com/ENG/>

제외 사항:

이 엔진 보증에는 다음 사항이 포함되지 않습니다.

- 다음으로 인한 손상 또는 성능 저하
 - 엔진 소유자 매뉴얼에 명시된 정기 정비 없이 방치
 - 부적절한 수리 또는 정비
 - 엔진 소유자 매뉴얼에 표시된 것 이외의 작동 방법
 - 엔진이 장착된 제품으로 인한 손상
 - 엔진 소유자 매뉴얼 및/또는 보증서가 나와 있는 바와 같이, 원래 엔진에 사용하도록 되어 있는 연료 이외의 것을 사용하거나 개조로 인한 손상
 - Honda에서 승인한 것이 아닌(권장되지 않은 윤활유 및 유체) 비정품인 Honda 부품과 액세서리 사용(사용된 비정품 부품이 Honda 부품과 유사하지 않고 고장이 발생한 경우 가스 배출물 보증이 적용되지 않음)
 - 매연, 화학 약품, 조분, 해수, 해풍, 소금 또는 다른 환경 현상에 제품 노출
 - 충돌, 연료 오염 또는 변질, 방치, 불필요 개조 또는 오용
 - 자연적인 마모(도장면 및 도금면의 퇴색, 시트 벗겨짐 및 다른 변질)
- 소모 부품: Honda에서는 일반적인 마모로 인한 부품의 성능 저하는 보증하지 않습니다. 아래에 나열된 부품은 보증이 적용되지 않습니다(다른 보증 수리의 일부로 필요한 것이 아닌 경우).
 - 스파크 플러그, 연료 필터, 공기 청정기 여과망, 클러치 디스크, 리코일 스타터 로프
 - 윤활유: 오일 및 그리스
- 청소, 조정 및 일반 정기 정비 작업(카뷰레터 청소 및 엔진 오일 배출).
- 경주 또는 경기에 Honda 범용엔진 사용.
- 금융 기관 또는 보험 회사에 의해 구조용으로 판매되거나 전손으로 공고된 제품의 부품 엔진.



การรับประกันสินค้าระหว่างประเทศสำหรับเครื่องยนต์เนกประสงค์อัตโนมัติ

เครื่องยนต์เนกประสงค์อัตโนมัติได้รับการติดตั้งอยู่ในผลิตภัณฑ์นี้ ได้ถูกครอบคลุมอยู่ในการรับประกันของฮอนด้าตามเงื่อนไขต่อไปนี้

- เงื่อนไขในการรับประกันนี้ใช้สำหรับเครื่องยนต์เนกประสงค์ที่ถูกผลิตโดยฮอนด้าในแต่ละประเทศ
- เงื่อนไขการรับประกันนี้จะรับประกันระดับความเสียหายของเครื่องยนต์ที่มีสาเหตุใดๆ อันเกิดจากการผลิตหรือการใช้งานที่ระบุไว้เฉพาะ
- การรับประกันนี้จะไม่ครอบคลุมถึงประเทศที่ไม่มีตัวแทนจำหน่ายของฮอนด้า

การเข้ารับบริการภายใต้การรับประกัน:

ท่านต้องนำเครื่องยนต์เนกประสงค์อัตโนมัติพร้อมหลักฐานการซื้อหรือหลักฐานการรับประกันที่มีการติดตั้งเครื่องยนต์นี้ พร้อมหลักฐานการชำระเงินที่มีวันที่ซื้อสินค้าระบุมายังผู้จำหน่ายเครื่องยนต์อัตโนมัติที่ได้รับอนุญาตให้จำหน่ายผลิตภัณฑ์ฮอนด้าในประเทศของท่าน หรือผู้จำหน่ายที่ท่านเชื่อถือผลิตภัณฑ์ หากต้องการค้นหาตัวแทนจำหน่ายผู้จำหน่ายฮอนด้าใกล้บ้านท่าน หรือตรวจสอบเงื่อนไขการรับประกันในประเทศของท่าน โปรดเยี่ยมชมเว็บไซต์ <https://www.hppsv.com/ENG/> หรือติดต่อตัวแทนจำหน่ายในประเทศของท่าน



<https://www.hppsv.com/ENG/>

การรับประกันเครื่องยนต์นี้ไม่ครอบคลุมกรณีต่อไปนี้:

- ความเสียหายหรือความเสื่อมสภาพใดๆ อันเป็นผลจากสาเหตุต่อไปนี้:
 - ไม่ทำการบำรุงรักษาตามระดับที่ระบุไว้ในคู่มือผู้ใช้งานเครื่องยนต์
 - ชอชมแซมหรือบำรุงรักษาอย่างไม่ถูกต้อง
 - ใช้งานด้วยวิธีการนอกเหนือไปจากที่ระบุไว้ในคู่มือผู้ใช้งานเครื่องยนต์
 - ความเสียหายซึ่งเกิดจากผลิตภัณฑ์ที่มีการติดตั้งเครื่องยนต์นี้
 - ความเสียหายซึ่งเกิดจากการเปลี่ยนแปลงหรือการใช้น้ำมันเชื้อเพลิงนอกเหนือจากชนิดที่เครื่องยนต์ถูกผลิตมาให้ใช้ ดังที่มีกำหนดไว้ในคู่มือผู้ใช้งานเครื่องยนต์และ/หรือคู่มือรับประกัน
 - การใช้ชิ้นส่วนและอุปกรณ์เสริมที่ไม่ใช่ของฮอนด้า, สิ่งอื่นใดที่นอกเหนือจากการรับรองโดยฮอนด้า (สำหรับล้อสปีดและของเหลวอื่นที่นอกเหนือจากน้ำมัน)
- (ไม่เกี่ยวข้องกับกรณีการปล่อยไอเสีย เว้นแต่ชิ้นส่วนไม่เท่าที่ชี้ให้เห็นไม่เทียบเท่ากับชิ้นส่วนของฮอนด้า และเป็นสาเหตุของการทำงานบกพร่อง)
 - เครื่องยนต์สัมผัสกับขี้เถ้าและควัน สารเคมี มูลคน น้ำทะเล ไอระเหย เกลือ หรือปรากฏการณ์แวดล้อมอื่นๆ
 - การชน การบิดเบือนของน้ำมันเชื้อเพลิงหรือการเสื่อมสภาพ การละเลย การดัดแปลงโดยไม่ได้รับอนุญาต หรือการใช้งานที่ผิด
 - การกีดกันตามธรรมชาติ (การขัดขวางตามธรรมชาติของพื้นผิวเคลือบสีหรือขูดขีด: การกระแทก และการเสื่อมสภาพตามธรรมชาติอื่นๆ)
- อะไหล่เสริม: ฮอนด้าไม่รับประกันการเสื่อมสภาพของชิ้นส่วนอื่นเนื่องจากการสึกหรอที่ไป ชิ้นส่วนดังต่อไปนี้ไม่อยู่ในความคุ้มครองของการรับประกัน (ยกเว้นในกรณีที่จำเป็นในฐานะส่วนหนึ่งของการซ่อมแซมภายใต้การรับประกันอื่น):
 - หัวเทียน, ไลกรองน้ำมันเชื้อเพลิง, ไลกรองอากาศ, แผ่นเคลือบสี, เชือกดึงลางเสถียร
 - สารหล่อลื่น น้ำมันเครื่องและจาระบี
- การทำความสะอาด การปรับตั้ง และการบำรุงรักษาตามระดับที่ระบุไว้ (การทำความสะอาดคาร์บูเรเตอร์และการถ่ายน้ำมันเครื่อง)
- การใช้เครื่องยนต์เนกประสงค์อัตโนมัติสำหรับแข่งรถหรือแข่งขัน
- เครื่องยนต์ใดๆที่เป็นส่วนหนึ่งของผลิตภัณฑ์ซึ่งถูกประกาศเป็นความเสียหายอย่างสิ้นเชิงหรือถูกขายขาดโดยสถาบันการเงินหรือโดยผู้รับประกันภัย



Garansi Internasional untuk Mesin Serba Guna Honda

Mesin serba guna Honda yang terpasang pada produk merek ini dijamin oleh Garansi Mesin Serba Guna Honda, berdasarkan persyaratan berikut.

- Syarat garansi ini berlaku bagi mesin serba guna yang ditetapkan Honda untuk masing-masing negara.
- Garansi ini berlaku untuk kerusakan mesin yang disebabkan oleh masalah produksi atau spesifikasi.
- Garansi ini tidak berlaku bagi negara-negara yang tidak memiliki distributor Honda.

Cara mendapatkan layanan garansi:

Bawalah mesin serba guna Honda Anda, atau perlengkapan yang dipasangi mesin tersebut, bersama dengan bukti tanggal pembelian ritel asli ke dealer mesin Honda yang memiliki izin untuk menjual produk tersebut di negara Anda atau dealer tempat Anda membeli produk. Untuk mengetahui lokasi distributor/dealer Honda terdekat atau memeriksa kondisi garansi di negara Anda, kunjungi situs web informasi layanan global kami <https://www.hppsv.com/ENG/> atau hubungi distributor di negara Anda.



<https://www.hppsv.com/ENG/>

Pengecualian:

Garansi mesin ini tidak mencakup:

- Kerusakan atau penurunan kinerja yang disebabkan oleh hal-hal berikut ini:
 - Pengabaian atas perawatan berkala yang disebutkan di dalam panduan pemilik mesin
 - Perbaikan atau perawatan yang tidak tepat
 - Metode pengoperasian selain yang dianjurkan di dalam panduan pemilik mesin
 - Kerusakan yang disebabkan oleh produk yang dipasangi mesin serba guna
 - Kerusakan yang disebabkan oleh penggantian ke, atau penggunaan dari, bahan bakar selain bahan bakar yang ditetapkan saat mesin dibuat, sebagaimana ditentukan di dalam panduan pemilik mesin dan/atau buku garansi
 - Penggunaan suku cadang dan aksesoris Honda yang tidak asli, selain yang sudah disetujui oleh Honda (selain pelumas dan minyak yang direkomendasikan) (tidak berlaku untuk garansi emisi kecuali suku cadang yang tidak asli tidak bisa dibandingkan dengan suku cadang Honda dan merupakan penyebab kegagalan fungsi)
 - Produk terpapar jelaga dan asap, zat kimia berbahaya, kotoran burung, air laut, angin laut, garam, atau fenomena lingkungan lainnya
 - Tabrakan, kontaminasi atau penurunan kinerja bahan bakar, pengabaian, perubahan tanpa izin, atau penyalahgunaan
 - Keausan karena sebab alami (pudar alami pada permukaan bercat atau berplat, pengelupasan, dan penurunan kondisi lainnya secara alami)
- Suku cadang habis pakai: Honda tidak menjamin penurunan kinerja suku cadang yang disebabkan oleh keausan alami. Suku cadang yang disebutkan di bawah ini tidak dijamin oleh garansi (kecuali dibutuhkan sebagai bagian dari perbaikan garansi lainnya):
 - Busi, saringan bahan bakar, elemen pembersih udara, cakram kopling, tali starter
 - Pelumas: oli dan minyak
- Pembersihan, penyetyelan, dan kerja perawatan normal berkala (pembersihan karburator dan pengeringan oli).
- Penggunaan mesin serba guna Honda untuk balapan atau kompetisi.
- Mesin apa pun yang merupakan bagian dari produk yang pernah dinyatakan rusak/rusak total atau dijual sebagai barang bekas oleh institusi keuangan atau perusahaan asuransi.



Jaminan Antarabangsa untuk Enjin Serbaguna Honda

Enjin Serbaguna Honda yang dipasang pada produk tidak khusus ini dilindungi oleh Jaminan Enjin Serbaguna Honda, berdasarkan andaian berikut:

- Syarat jaminan menurut kepada general-purpose engine yang dikeluarkan oleh Honda di setiap negara.
- Syarat jaminan berlaku untuk kerosakan yang disebabkan sebarang pembuatan atau spesifikasi tertentu.
- Jaminan ini tidak berlaku untuk negara dimana yang tidak ada pengedar honda.

Untuk mendapatkan khidmat jaminan:

Anda mestilah membawa enjin serbaguna Honda anda, atau peralatan yang dipasangkan dengannya, berserta bukti tarikh asal pembelian runcit kepada wakil penjual enjin Honda yang dibenarkan untuk menjual produk tersebut di negara anda atau wakil penjual di mana anda membeli produk anda. Untuk mengesahkan kedudukan pengedar/wakil penjual Honda berhampiran anda atau menyemak syarat jaminan di negara anda, kunjungi laman web maklumat khidmat global kami <https://www.hppsv.com/ENG/> atau hubungi pengedar di negara anda.



<https://www.hppsv.com/ENG/>

Pengecualian:

Jaminan enjin ini tidak merangkumi perkara berikut:

- Sebarang kerosakan atau kemerosotan yang berlaku akibat perkara berikut:
 - Pengabaian terhadap penyelenggaraan berkala seperti yang dinyatakan di dalam manual pemilik enjin
 - Pembaikan atau penyelenggaraan yang tidak sewajarnya
 - Kaedah pengendalian selain daripada yang ditunjukkan di dalam manual pemilik enjin
 - Kerosakan yang disebabkan oleh produk yang dipasangkan dengan enjin tersebut
 - Kerosakan disebabkan penukaran, atau penggunaan, bahan api selain daripada yang digunakan semasa enjin itu mula dikilangkan, sebagaimana yang ditetapkan di dalam manual pemilik enjin dan/atau buku kecil jaminan
 - Penggunaan alat ganti dan aksesoris tidak tulen Honda, selain daripada yang diluluskan oleh Honda (selain daripada bahan pelincir dan bendalir yang disarankan) (tidak diguna pakai ke atas jaminan emisi kecuali alat ganti tidak tulen yang digunakan tidak setanding dengan alat ganti Honda dan telah menyebabkan kegagalan)
 - Produk yang terdedah kepada jelaga dan asap, agen kimia, najis burung, air laut, bayu laut, garam atau fenomena alam sekitar lain
 - Perlanggaran, pencemaran dan kemerosotan bahan api, pengabaian, pengubahaan yang tidak dibenarkan, atau salah guna
 - Haus dan lusuh semula jadi (kepadaran warna pada permukaan bercat atau bersadur, lapisan mengelupas dan kemerosotan semula jadi lain)
- Alat ganti guna habis: Honda tidak menjamin kemerosotan alat ganti yang akibat haus dan lusuh semula jadi. Alat ganti yang disenaraikan di bawah tidak dilindungi oleh jaminan (melainkan ia diperlukan sebagai sebahagian daripada pembaikan jaminan lain):
 - Palam pencucuh, penapis bahan api, elemen pembersih udara, cakera cekam, tali penghidup sentakan
 - Bahan pelincir: minyak dan gris
- Pembersihan, pelarasan, dan kerja penyelenggaraan berkala (pembersihan karbuoretor dan pembuangan minyak enjin).
- Penggunaan enjin serbaguna Honda untuk perlumbaan atau pertandingan.
- Mana-mana enjin yang menjadi sebahagian daripada produk yang pernah diisytiharkan tidak boleh digunakan sama sekali atau dijual sebagai salvaj oleh institusi kewangan atau syarikat insurans.



الضمانة الدولية لمحركات هوندا للأغراض العامة

- محرك هوندا للأغراض العامة الذي تم تركيبه على هذا المنتج البسيط يكون مشمولاً بضمانة هوندا وفقاً للافتراضات التالية.
- حالات الضمانة المطبقة لمحركات الأغراض العامة هذه تم وضعها من قبل هوندا لكل بلد.
 - تطبيق شروط الضمانة على أعطال المحرك التي نتجت عن أي خلل بالتصنيع أو مشاكل بالمواصفات.
 - لا يتم تطبيق الضمانة على البلدان التي لا يوجد فيها موزع هوندا.



الفحص
<https://www.hppsv.com/ENG/>

للحصول على خدمة الضمانة:

يجب أخذ محرك هوندا للأغراض العامة أو الماكينة الذي تم تركيبه بها مع دليل على تاريخ الشراء الأصلي إلى وكيل محركات هوندا المرخص له بيع هذا المنتج في بلدك أو الوكيل الذي اشترت المنتج منه. لتحديد موقع أقرب موزع/وكيل هوندا لك لاطلاع على شروط الضمانة المطبقة في بلدك، تفضل بزيارة معلومات الخدمة العامة على موقع الويب <https://www.hppsv.com/ENG/> أو اتصل بالموزع في بلدك.

الاستثناءات:

- لا تطبق ضمانة المحرك هذه على ما يلي:
1. أي تلف أو تدهور في حالة المنتج ناتج عما يلي:
 - إهمال الصيانة الدورية على النحو المحدد في دليل مالك المحرك
 - الإصلاح أو الصيانة غير الملائمة
 - اتباع طرق في التشغيل غير تلك المشار إليها في دليل مالك المحرك
 - أي تلف سببه المنتج الذي تم تركيب المحرك به
 - أي تلف سببه استخدام أو التحويل إلى وقود غير الوقود الذي صنع المحرك في الأصل لاستخدامه، كما نص على ذلك دليل مالك المحرك و/أو كتيب الضمانة.
 - استخدام قطع وملحقات ليست من إنتاج هوندا ولم تحصل على اعتماد منها (باستثناء السوائل وزيت التشحيم الموصى بها) (لا ينطبق على ضمانة الانبعاثات إلا إذا كان الجزء غير الأصلي)
 - المستخدم لا يضيء الجزء المنزج تبج بواسطة هوندا أو كان هو سبب التعرض للمنتج لسخام ودخان أو عوامل كيميائية أو براز الطيور أو مياه البحر أو نسيم البحر أو الملح أو أية ظواهر بيئية أخرى
 - التآكل أو تلوث الوقود أو تدهور حالته أو الإهمال أو التبديل غير المصرح به أو إساءة الاستخدام
 - الاستهلاك الناتج عن الاستعمال العادي (الزوال الطبيعي للون الأسطح المطلية أو المكسوة وتفتت الصفائح وأي تدهور آخر)
 2. الأجزاء المستهلكة: لا تضمن هوندا تدهور حالة الأجزاء بسبب الاستهلاك الناتج عن الاستعمال العادي. لا تغطي الضمانة الأجزاء المدرجة أدناه (إلا إذا كانت مطلوبة كجزء من إصلاح تشملته ضمانة أخرى):
 - شمعة الإشعال، فلتر الوقود، منقي الهواء، قرص القابض، جيل بادئ الحركة الارتدادي
 - زيت التشحيم، الزيت والشحم
 3. أعمال الصيانة الدورية العادية والفضط والتنظيف (تنظيف المكنون وتصريف زيت المحرك).
 4. استخدام محرك هوندا للأغراض العامة للمشاركة في سباقات أو منافسات.
 5. أي محرك بعد جزء "أ" من منتج سبق وأن حقق خسارة إجمالية أو بيع بواسطة مؤسسة مالية أو شركة تأمين لتعويض قيمته.

ar

Internationale Garantie für Honda-Industriemotoren

- Der in diesem Markenprodukt installierte Honda-Industriemotor ist unter den nachfolgend aufgeführten Voraussetzungen von der allgemeinen Honda-Motorgarantie abgedeckt.
- Die für Industriemotoren geltenden Garantiebestimmungen wurden von Honda für jedes Land festgelegt.
 - Die Garantie gilt für Motordefekte, die durch einen Fabrikationsfehler oder inkorrekte Spezifikation verursacht wurden.
 - Die Garantie gilt nicht in Ländern, in denen kein Honda-Großhändler vorhanden ist.

Vorgehensweise im Garantiefall:

Bringen Sie Ihren Honda-Industriemotor bzw. das Erstausrüster-Produkt, in dem dieser installiert ist, zusammen mit dem ursprünglichen Einzelhandel-Kaufnachweis mit Datumsangabe zu einem für den Vertrieb dieses Produkts in Ihrem Land autorisierten Honda-Händler bzw. zu dem Händler, bei dem Sie Ihr Produkt erworben haben. Um einen Honda-Großhändler/-Händler in Ihrer Nähe ausfindig zu machen oder die Garantiebedingungen für Ihr Land zu überprüfen, besuchen Sie unsere globale Service-Informations-Website <https://www.hppsv.com/ENG/> oder kontaktieren Sie einen Großhändler in Ihrem Land.



Scannen
<https://www.hppsv.com/ENG/>

Ausschlüsse:

Diese Motor-Garantie schließt Folgendes aus:

1. Schäden oder Beeinträchtigungen, die durch Folgendes verursacht wurden:
 - Vernachlässigung der regelmäßigen Wartung entsprechend den Angaben in der Bedienungsanleitung des Motors
 - Unsachgemäße Reparatur oder Wartung
 - Bedienungsweisen, die nicht den Angaben in der Bedienungsanleitung des Motors entsprechen
 - Schäden, die durch das Produkt, in dem der Motor installiert ist, verursacht wurden
 - Schäden infolge der Umstellung auf oder dem Einsatz von Kraftstoff, auf den der Motor ursprünglich nicht ausgelegt war und der den Angaben in der Bedienungsanleitung und/oder dem Garantieheft nicht entspricht
 - Einsatz von Nicht-Original-Honda-Bauteilen und -Zubehör, die nicht von Honda freigegeben wurden (empfohlene Schmiermittel und Betriebsflüssigkeiten ausgenommen) (Die Emissions-Garantie ist hiervon ausgeschlossen, es sei denn der Ausfall wurde durch den Einsatz eines Nicht-Original-Bauteils verursacht, das nicht mit dem entsprechenden Honda-Bauteil vergleichbar ist.)
 - Einwirkung von Ruß und Rauch, Chemikalien, Vogelkot, Meerwasser, Meeresluft, Salz oder anderer Umwelteinflüsse
 - Kollision, Kraftstoffverunreinigung oder -alterung, Vernachlässigung, unzulässiger Umbau oder Mißbrauch
 - Natürlicher Verschleiß (natürliches Verblässen lackierter oder verchromter Oberflächen, Ablättern und andere natürliche Abnutzungen)
2. Verschleißteile: Honda übernimmt keine Gewähr für den normalen Verschleiß von Bauteilen. Die unten aufgeführten Bauteile sind nicht durch die Garantie abgedeckt (außer wenn im Rahmen einer anderen Garantiereparatur notwendig):
 - Zündkerze, Kraftstofffilter, Luftfiltereinheit, Kupplungsscheibe, Handstarterseil
 - Schmiermittel: Öl und Fett
3. Reinigung, Einstellung und regelmäßige Wartungsarbeiten (Vergaserreinigung und Motorölwechsel).
4. Einsatz des Honda-Industriemotors in Rennen oder Wettbewerben.
5. Motor, der in einem Produkt installiert ist, das schon einmal zum Totalverlust erklärt oder von einem Kreditinstitut bzw. Versicherer als Altmaterial verkauft worden ist.

de

Garantie internationale des moteurs à usage général Honda

Le moteur à usage général Honda installé sur ce matériel de marque est couvert par une garantie Honda dans les conditions suivantes :

- Les conditions de garantie sont conformes à celles pour le moteur à usage général établies par Honda pour chaque pays.
- Les conditions de garantie s'appliquent aux pannes de moteur causées par un problème de fabrication ou de spécification.
- La garantie ne s'applique pas aux pays où il n'existe pas de distributeur Honda.

Pour bénéficier de la garantie :

Vous devez confier votre moteur à usage général Honda, ou l'équipement sur lequel il est monté, accompagné de la preuve de la date d'achat du produit à un revendeur de moteurs Honda autorisé à vendre ce produit dans vos pays ou au revendeur qui vous a vendu ce produit. Pour localiser un revendeur/distributeur Honda près de chez vous ou pour vérifier les conditions de garantie dans votre pays, consultez notre site Web mondial d'informations relatives au service <https://www.hppsv.com/ENG/> ou contactez un distributeur dans votre pays.

Exclusions :

Cette garantie moteur n'inclut pas :

1. Tout dommage ou toute détérioration résultant de ce qui suit :
 - Non-réalisation de l'entretien périodique tel que spécifié dans le manuel d'utilisation du moteur
 - Réparation ou entretien incorrect(e)
 - Méthodes d'utilisation différentes de celles indiquées dans le manuel d'utilisation du moteur
 - Dommages entraînés par le produit sur lequel le moteur est monté
 - Dommages entraînés par la modification du moteur pour utiliser un carburant différent de celui pour lequel le moteur a été conçu, ou l'utilisation d'un carburant, autre que le(s) carburant(s) pour lequel/lesquels le moteur est conçu, tel que défini dans le manuel d'utilisation du moteur et/ou le livret de garantie
 - Utilisation de pièces et d'accessoires non d'origine Honda, autres que ceux approuvés par Honda (autres que les lubrifiants et liquides recommandés) (ne s'applique pas à la garantie sur les émissions sauf si une pièce non d'origine utilisée n'est pas comparable à la pièce Honda et a entraîné la panne)
 - Exposition du produit à la suie et aux fumées, aux agents chimiques, aux déjections d'oiseaux, à l'eau de mer, à la brise marine, au sel ou à tout autre phénomène environnemental
 - Collision, contamination ou détérioration du carburant, négligence, modification non autorisée ou utilisation incorrecte
 - Usure naturelle (décoloration naturelle des surfaces peintes ou plaquées, détachement de tôle et autre détérioration naturelle)
2. Les consommables : Honda ne garantit pas la détérioration des pièces due à une usure normale. Les pièces répertoriées ci-dessous ne sont pas couvertes par la garantie (sauf si elles font partie d'une autre réparation sous garantie) :
 - Bougie, filtre à carburant, élément de filtre à air, disque d'embrayage, corde de lancer manuel
 - Lubrifiant : huile et graisse
3. Les opérations de nettoyage, réglage et entretien périodique normal (nettoyage du carburateur et vidange de l'huile du moteur).
4. L'utilisation du moteur à usage général Honda pour la course ou la compétition.
5. Tout moteur monté sur un produit qui a fait l'objet d'une déclaration de perte totale ou de vente à sa valeur de récupération par un organisme financier ou un assureur.

fr

Internationale garantie voor Honda algemeen-gebruik motoren

De Honda algemeen-gebruik motor die op dit merkproduct is gemonteerd is gedekt door een Honda-garantie voor algemeen-gebruik motoren, waarbij het volgende in acht moet worden genomen:

- De garantievoorwaarden voldoen aan die voor de algemeen-gebruik motoren opgesteld door Honda voor ieder land.
- De garantievoorwaarden zijn van toepassing op motordefecten die veroorzaakt zijn door fabricage- of specificatiefouten.
- De garantie geldt niet in landen waar geen Honda distributeur is.

Om garantieservice te verkrijgen:

Breng uw Honda algemeen-gebruik motor, of de apparatuur waarin deze is geïnstalleerd, samen met bewijs van de datum van de oorspronkelijke winkel aankoop naar een Honda-motordealer die bevoegd is om het betreffende product in uw land te verkopen of de dealer bij wie u het product hebt gekocht. Ga om een Honda-distributeur of -dealer bij u in de buurt te vinden of de garantievoorwaarden voor uw land te bekijken naar onze wereldwijde service-informatie website <https://www.hppsv.com/ENG/>, of neem contact op met de distributeur voor uw land.

Uitsluitingen:

Deze motorgarantie geldt niet voor het volgende:

1. Enige schade of achteruitgang die het gevolg is van:
 - Verwaarlozing van het periodieke onderhoud zoals omschreven in de gebruikshandleiding van de motor
 - Onjuist uitgevoerde reparatie of onderhoud
 - Andere bedieningsmethoden dan beschreven in de gebruikshandleiding van de motor
 - Schade die is veroorzaakt door het product waarop de motor is geïnstalleerd
 - Schade die is veroorzaakt door aanpassing voor, of het gebruik van, andere brandstoffen (dan waarvoor de motor oorspronkelijk werd gefabriceerd, zoals aangegeven in de gebruikshandleiding en/of het garantieboekje van de motor
 - Het gebruik van niet-originele Honda-onderdelen en -accessoires, anders dan die goedgekeurd door Honda (anders dan aanbevolen smeermiddelen en vloeistoffen) (niet van toepassing op de emissiegarantie tenzij het gebruikte niet-originele onderdeel niet vergelijkbaar is met het Honda-onderdeel en oorzaak was van de storing)
 - Blootstelling van het product aan roet en rook, chemische stoffen, vogeluitwerpselen, zeewater, zout of andere milieuverschijnselen
 - Botsing, vervuiling of achteruitgang van brandstof, verwaarlozing, onbevoegde wijziging of misbruik
 - Natuurlijke slijtage (natuurlijke verkleuring van gelakte of beklede oppervlakken, afschilferen en andere natuurlijke achteruitgang)
2. Verbruiksonderdelen: Honda geeft geen garantie op achteruitgang van onderdelen als gevolg van normale slijtage. De hieronder vermelde onderdelen vallen niet onder de garantie (tenzij als onderdeel van een andere garantiereparatie):
 - Bougie, brandstoffilter, luchtfilterelement, koppelingsschijf, startkoord
 - Smeermiddelen: olie en vet
3. Reiniging, afstelling en normaal periodiek onderhoudswerk (carburateurreiniging en aftappen van de motorolie).
4. Gebruik van de Honda algemeen-gebruik motor voor racen of competitie.
5. Enige motor die onderdeel is van een product dat ooit total loss is verklaard of voor recuperatiedoelende is verkocht door een financiële instelling of verzekeraar.

nl

Garanzia internazionale sui motori Honda per impieghi generici

Il Motore Honda per uso generico installato in questo prodotto è coperto dalla Garanzia Honda prevista per i motori per impieghi generici, nel rispetto dei seguenti presupposti:

- Le condizioni di garanzia sono conformi a quelle previste da Honda per i motori ad uso generico, definite per ogni singolo Paese.
- Le condizioni di garanzia si applicano in caso di problemi ai motori dovuti a un difetto di fabbrica.
- La garanzia non è valida in quei Paesi in cui non sia presente alcun Distributore Honda.

Per ottenere interventi in garanzia:

Occorre portare il motore Honda per uso generico, oppure la macchina su cui questo è stato montato, unitamente al titolo di acquisto originale su cui compaia la data di acquisto, presso un Distributore di motori Honda autorizzato ad operare nel proprio Paese oppure presso il rivenditore dove è stato acquistato il prodotto. Per trovare il distributore/rivenditore Honda più vicino consultare le condizioni di garanzia in vigore nel proprio Paese, visitare il sito web riportante le informazioni di assistenza <https://www.hpsv.com/ENG/> oppure contattare il Distributore presente nel proprio Paese.

Cause di esclusione dalla garanzia

Sono esclusi dalla presente garanzia i seguenti casi:

1. Qualsiasi danno o deterioramento sul motore Honda risultante da:
 - Mancata esecuzione della manutenzione periodica, secondo quanto indicato sul libretto d'uso e manutenzione del motore.
 - Interventi di riparazione o di manutenzione impropri.
 - Utilizzo del motore diverso rispetto a quanto indicato sul libretto d'uso e manutenzione.
 - Danni causati al motore dalla macchina su cui esso è stato installato.
 - Danni causati dalla conversione a - oppure dall'uso di - carburanti diversi da quelli originariamente previsti per il motore all'atto della sua produzione, secondo quanto indicato sul libretto d'uso e manutenzione e/o sull'opuscolo riguardante la garanzia del motore.
 - L'utilizzo di ricambi e accessori non originali Honda, diversi da quelli approvati da Honda (come pure lubrificanti o liquidi diversi da quelli raccomandati da Honda) (non si applica alla garanzia sulle emissioni a meno che il pezzo non originale utilizzato non sia comparabile al pezzo Honda e sia stato la causa del guasto).
 - L'esposizione del prodotto a fuliggine e fumo, ad agenti chimici, guano di uccelli, acqua di mare, brezza marina, sale o ad altri fenomeni ambientali.
 - Urti, contaminazione o deperimento del carburante, incuria, modifiche non autorizzate o uso improprio.
 - Normale usura (normale scolorimento delle superfici verniciate o rivestite, scrostatura delle lamiere o qualsiasi altro normale deterioramento).
2. Parti di ricambio soggette a usura: sono escluse dalla garanzia Honda tutte le parti il cui deterioramento sia dovuto a normale usura. I particolari elencati di seguito non sono coperti dalla garanzia Honda (a meno che essi non siano necessari come parte di un'altra riparazione in garanzia):
 - Candele, filtri del carburante, elementi di filtraggio dell'aria, dischi della frizione, funi dell'avviatore autoavvolgente.
 - Lubrificanti: oli e grassi.
3. Pulizia, regolazione e normali interventi di manutenzione periodica (pulizia del carburatore e cambio dell'olio del motore)
4. Utilizzo del motore Honda per uso generico in occasione di gare o competizioni.
5. Qualsiasi motore montato su di un prodotto che sia stato dichiarato affetto da "danno totale" (cioè nel caso in cui il guasto sia superiore al valore del prodotto stesso) oppure se tale prodotto sia stato venduto per il recupero crediti da parte di un istituto finanziario o assicurativo.



<https://www.hpsv.com/ENG/>

it

Garantia internacional para motores Honda para uso geral

O motor Honda para uso geral instalado neste produto de marca é coberto pela garantia para motores Honda para uso geral, de acordo com os seguintes princípios.

- As condições da garantia conformam com as condições de garantia para motores para uso geral estabelecidas pela Honda no país em questão.
- As condições da garantia são para falhas do motor causadas por qualquer problema de fabricação ou especificação.
- A garantia não é válida em países onde não há um distribuidor Honda.

Para usufruir do serviço de garantia:

Deve levar o seu motor Honda para uso geral, ou o equipamento no qual está instalado, juntamente com um comprovativo da data de compra original, a um revendedor de motores Honda autorizado a vender esse produto no seu país ou ao revendedor ao qual adquiriu o produto. Para localizar um revendedor/distribuidor Honda perto de si ou para consultar as condições de garantia no seu país, visite o nosso website global de informações de assistência em <https://www.hpsv.com/ENG/> ou entre em contacto com um distribuidor do seu país.

Exclusões:

A presente garantia de motor não inclui o seguinte:

1. Todos os danos ou deteriorações resultantes de:
 - Não cumprimento do período de manutenção conforme especificado no manual do proprietário do motor
 - Reparações ou manutenções inadequadas
 - Métodos de utilização diferentes dos indicados no manual do proprietário do motor
 - Danos provocados pelo produto no qual o motor está instalado
 - Danos provocados pela utilização ou mudança para combustível diferente do(s) combustível(eis) que o motor foi concebido para utilizar, conforme previsto no manual do proprietário do motor e/ou no folheto da garantia
 - Utilização de peças e acessórios não originais da Honda diferentes dos aprovados pela Honda (lubrificantes e fluidos recomendados) – (não se aplica à garantia de emissões, exceto se a peça não original utilizada não for semelhante a uma peça Honda e constituir o motivo da avaria)
 - Exposição do produto a ferrugem e fumos, agentes químicos, excrementos de aves, água do mar, brisa marítima, sal ou outros fenômenos ambientais
 - Colisão, contaminação ou deterioração do combustível, negligência, modificação não autorizada ou má utilização
 - Desgaste e rutura naturais (descoloração natural das superfícies pintadas e metálicas, descroagem das chapas e outras deteriorações naturais)
2. Peças sujeitas a desgaste: A garantia da Honda não abrange a deterioração de peças resultante de desgaste e rutura normais. As peças indicadas em baixo não estão abrangidas pela garantia (exceto se necessárias durante outra reparação abrangida pela garantia):
 - Vela de ignição, filtro de combustível, elemento do filtro de ar, disco da embraiagem, corda de arranque
 - Lubrificante: óleo e massa lubrificante
3. Limpeza, afinação e trabalhos normais de manutenção periódica (limpeza do carburador e drenagem do óleo do motor).
4. Utilização do motor Honda para uso geral em corridas ou competições.
5. Todos os motores que pertençam a produtos que tenham sido declarados como uma perda total ou vendidos para reaproveitamento de peças por uma instituição financeira ou seguradora.



<https://www.hpsv.com/ENG/>

pt

Garantía internacional de los motores Honda de uso general

El motor Honda de uso general instalado en este producto de marca está cubierto por una garantía de motor Honda de uso general, bajo las condiciones siguientes.

- Las condiciones de garantía conforman las de los motores de uso general establecidas por Honda para cada país.
- Las condiciones de garantía se aplican a las averías de motores causadas por un problema de fabricación o de especificaciones.
- La garantía no se aplica en los países en los que no haya ningún distribuidor de Honda.

Para obtener el servicio de garantía:

Deberá llevar su motor Honda, o el equipo donde está instalado, junto con el comprobante de la fecha de compra original a un concesionario de motores Honda autorizado para vender dicho producto en su país, o al concesionario donde compró el producto. Para localizar un distribuidor/concesionario Honda cercano o comprobar el estado de la garantía en su país, visite nuestro sitio web de información de servicio global <https://www.hpsv.com/ENG/>, o póngase en contacto con un distribuidor de su país.

Exclusiones:

La garantía de este motor no incluye lo siguiente:

1. Los daños o deterioros provocados por lo siguiente:
 - Negligencia en el mantenimiento periódico según lo especificado en el manual del propietario del motor
 - Reparación o mantenimiento no adecuados
 - Métodos de funcionamiento distintos de los indicados en el manual del propietario del motor
 - Daños provocados por el producto en el que está instalado el motor
 - Daños provocados por la conversión a, o el uso de, combustible distinto del combustible para el que el motor se fabricó inicialmente, según lo establecido en el manual del propietario del motor y/o en el folleto de garantía
 - El uso de piezas y accesorios no originales de Honda, distintos de los aprobados por Honda (distintos de los lubricantes y líquidos recomendados) (no se aplica a la garantía de emisiones a menos que la pieza no original utilizada no sea comparable a la pieza de Honda y sea la causa de la avería)
 - Exposición del producto a hollín y humo, agentes químicos, excrementos de aves, agua marina, brisa marina, sal u otros fenómenos ambientales
 - Colisión, contaminación o deterioro del combustible, negligencia, alteración no autorizada o uso indebido
 - Desgaste y rotura naturales (decoloración natural de las superficies pintadas o cromadas, descascarado de láminas y otros tipos de deterioro natural)
2. Piezas consumibles: Honda no garantiza el deterioro de las piezas debido al desgaste y rotura normales. Las piezas indicadas a continuación no están cubiertas por la garantía (a menos que sean necesarias como parte de otra reparación de garantía):
 - Bujía, filtro de combustible, elemento del filtro de aire, disco de embrague, cuerda de arranque retráctil
 - Lubricante: aceite y grasa
3. Limpieza, ajuste y tareas normales de mantenimiento periódico (limpieza del carburador y drenaje de aceite del motor).
4. Uso del motor Honda de uso general para carreras o competiciones.
5. Cualquier motor que forme parte de un producto declarado como pérdida total o vendido como restos por una institución financiera o aseguradora.



<https://www.hpsv.com/ENG/>

es

Hondas internationella motorgaranti för produkter med Honda motorer

Honda motor som är monterad på denna märkesprodukt, täcks av Hondas motorgaranti under följande förutsättningar.

- Garantin kräver att man rättar sig efter de motorvillkor för ändamålet som fastslags av Honda för respektive land.
- Garantivillkoren gäller för motorfel som orsakats av tillverknings- eller specifikationsproblem.
- Garantin gäller inte i länder där Honda inte har någon distributör.

Erhålla garantiservice:

Du måste på egen bekostnad ta Honda motorn, eller utrustningen, som den är monterad på tillsammans med inköpsbeviset som anger det ursprungliga inköpsdatumet till en Honda-återförsäljare som är auktoriserad att sälja produkten i ditt land. Om du vill hitta en återförsäljare i närheten eller kontrollera garantivillkoren i ditt land, kan du gå till vår globala informationswebbplats på <https://www.hpsv.com/ENG/> eller kontakta distributören i ditt land.



<https://www.hpsv.com/ENG/>

Undantag:

Motorgarantin inkluderar inte följande:

1. Skador eller försämringar som uppstått på grund av:
 - Att det regelbundna underhållet som anges i ägarmanualen har försumrats.
 - Felaktiga reparations- eller underhållsarbeten.
 - Att motorn använts på annat sätt än det som anges i ägarmanualen.
 - Skador som orsakats av produkten på vilken motorn är monterad.
 - Skador som orsakats av ombyggnad till, eller användning av, ett annat bränsle än det som motorn ursprungligen konstruerats att använda, så som anges i ägarmanualen och/eller garantihäftet.
 - Användning av delar eller tillbehör från tillverkare som inte godkänts av Honda (gäller inte rekommenderade smörjmedel och vätskor), gäller bara avgasgarantin om en del från en annan tillverkare som inte motsvarar en Honda del är orsaken till felet).
 - Produkten har utsatts för sot och rök, kemiska substanser, fågelspillning, saltvatten, havsvind, salt eller annan miljöpåverkan.
 - Kollision, bränsleförrorening eller försämring, vanskötsel, otillåtna ändringar eller missbruk.
 - Naturlig förlitning (naturlig blekning av lackade eller pläterade ytor, flagnig eller andra naturliga försämringar).
2. Förbrukningsdelar: Honda garanterar inte delar som försämras på grund av normal förlitning. Delarna nedan täcks inte av garantin (om de inte ingår som en del av en garantireparation):
 - Tändstift, bränslefilter, luftfilter, kopplingslameller, startlina
 - Smörjmedel: oljor och fetter
3. Rengöring, justering och vanligt, regelbundet underhållsarbete (rengöring av frägsare och dränare av motorolja).
4. Om Honda motorn används för tävlingsbruk.
5. Motorer som ingår i en produkt som bedömts som förbrukad eller som sålts som skrot av en finansiell institution eller ett försäkringsbolag.

sv

Hondas internasjonale garanti for generelle motorer

Honda General Purpose Engine som er installert på dette produktet, er dekket av en Honda-garanti, på følgende antakelser.

- Garantibetingelsene oppfyller de for motorene til generelt formål som er fastlagt av Honda for hvert land.
- Garantibetingelsene gjelder for motorsvikt forårsaket av ethvert produksjons- eller spesifikasjonsproblem.
- Garantien gjelder ikke i land der det ikke finnes noen Honda-distributør.

For å få garantiservice:

Du må ta med Honda-universalmotoren, eller utstyret motoren er montert i, samt bevis på opprinnelig kjøpsdato til en Honda-forhandler som er autorisert til å selge det aktuelle produktet i landet ditt eller forhandleren du opprinnelig kjøpte produktet hos. For å finne en Honda-distributør/-forhandler i nærheten av deg eller kontrollere garantivilkår i landet ditt, kan du gå til det globale nettstedet vårt for serviceinformasjon <https://www.hppsv.com/ENG/> eller kontakte distributøren i landet ditt.



<https://www.hppsv.com/ENG/>

Utelatelser:

Denne motorgarantien inkluderer ikke følgende:

- Skade eller forringelse som er forårsaket av følgende:
 - Forsømmelse av regelmessig vedlikehold per spesifikasjon i bruksanvisningen
 - Feilaktig reparasjon eller vedlikehold
 - Bruksområder utenfor de som er indikert i bruksanvisningen
 - Skade som er forårsaket av det produktet som motoren er installert i
 - Skade forårsaket av konvertering til, eller bruk av, annet drivstoff enn det motoren er beregnet på, som indikert i bruksanvisningen og/eller garantihæftet
 - Bruk av uoriginale Honda-deler og tilbehør, annet enn de som er godkjent av Honda (annet enn anbefalte smøremidler og væsker) (gjelder ikke utslippsgarantien med mindre uoriginal del som er i bruk ikke er sammenlignbar med Honda-delen, og er sviktårsak)
 - Dersom produktet eksponeres for sot og røyk, kjemikalier, fugleekskremer, sjøvann, sjøluft, salt eller andre miljøfenomen
 - Kollisjon, drivstofforense eller -forvitring, forsømmelse, ikke-autorisert justering eller feilaktig bruk
 - Naturlig slitasje (naturlig falming av malte eller lakkerte overflater, avskalling og annen naturlig forvitring)
- Forbruksdeler: Honda dekker ikke forvitring som forårsakes av normal bruk og slitasje. Delene i listen nedenfor er ikke dekket av garanti (med mindre de er nødvendige i en annen garanti-reparasjon):
 - Tennplugg, drivstoffilter, luftrensere, kløtskive, rekylstarttau
 - Smøremiddel: olje og fett
- Rengjøring, justering og normalt og jevnlig vedlikeholdsarbeid (rengjøring av fargasser og tømning av motorolje).
- Bruk av generell motor fra Honda til kappkjøring eller konkurranse.
- Enhver motor som er del av et produkt som har blitt erklært som vrak eller solgt for vrakpant av en finansiell institusjon eller forsikrer.

no

International garanti på Honda-universalmotor

Honda-universalmotoren, som dette gænge produkt er monteret med, dækkes af en garanti på Honda-universalmotorer under følgende forudsætninger.

- Garantibetingelserne er i overensstemmelse med dem, Honda har fastlagt for universalmotorer i hvert enkelt land.
- Garantibetingelserne gjelder for motorfejl forårsaget af fremstillings- eller specifikasjonsproblemer.
- Garantien gjelder ikke for lande, hvor der ikke findes en Honda-distributør.

Sådan opnås garantiservice:

Du skal tage din Honda-universalmotor eller det udstyr, som motoren er monteret i, samt dokumentation for datoen for dit oprindelige køb med til den forhandler, du købte produktet af eller en forhandler af Honda-motorer, som har autorisation til at sælge det pågældende produkt i dit land. Du kan finde en Honda-distributør/forhandler i nærheden eller læse garantibetingelserne for dit land ved at gå til vores websted med oplysninger om global service på <https://www.hppsv.com/ENG/> eller kontakte en distributør i dit land.



<https://www.hppsv.com/ENG/>

Fraskrivelser:

Denne motorgaranti dækker ikke følgende:

- Enhver beskadigelse eller forringelse, som opstår pga. følgende:
 - Manglende regelmæssig vedligeholdelse, som specificeret i håndbogen til motoren.
 - Ukorrekt reparation eller vedligeholdelse.
 - Andre anvendelsesmetoder end dem, der er angivet i håndbogen til motoren.
 - Beskadigelse, der forårsages af det produkt, som har motoren monteret.
 - Beskadigelse, der forårsages af konvertering til eller brug af et andet brændstof end de brændstoffer, som motoren oprindeligt blev fremstillet til, som angivet i håndbogen til motoren og/eller garantihæftet.
 - Brug af uoriginale Honda-deler og -tilbehør udover dem, der er godkendt af Honda (med undtagelse af anbefalede smøremidler og væsker) (gjelder ikke for emissionsgarantien, med mindre den anvendte uoriginale del ikke er sammenlignelig med Honda-deler og var årsag til fejlen).
 - Produktets udsættelse for sod og røg, kemiske midler, fugleekskremer, havvand, havluft, salt eller andre miljøfenomen.
 - Kollisjon, brændstoffkontamination eller -forringelse, forsømmelse, uautoriserede ændringer eller misbrug.
 - Naturlig slitage (naturlig falming af malede eller belagte overflader, afskalning af plader og anden naturlig forringelse).
- Forbruksdeler: Honda giver ikke garanti på forringelse af dele på grund af normal slitage. De nedenfor angivne dele er ikke dekket af garantien (med mindre de er nødvendige som del af en anden garanti-reparasjon):
 - Tændrør, brændstoffilter, luftfilterelement, koblingsskive og startsnor.
 - Smøremiddel: olie og fedt.
- Rengjøring, justering og normalt regelmæssigt vedligeholdelsesarbejde (rengjøring af karburator og aftapning af motorolie).
- Bruk af Honda-universalmotoren til kapløb eller konkurranse.
- Enhver motor, der er del af et produkt, der er blevet erklært et totalt tab eller solgt til ophug af en finansiel institution eller et forsikringselskab.

da

Hondan yleismootoreita koskeva kansainvälinen takuu

Tähän sarjatuoteeseen asennettu Hondan yleismootori kuuluu Hondan yleismootoreita koskevan takuun piiriin seuraavin ehdoin:

- Takuehdot ovat yhdenmukaiset yleismootorin takuehtojen kanssa, jotka Honda on laatinut kullekin maalle.
- Takuehdot koskevat valmistusvirheistä tai laatuviasta johtuvia moottorivikoja.
- Takuu ei ole voimassa maissa, joissa ei ole Honda-jälleenmyyjää.

Takuupalvelun käyttäminen:

Toimita Hondan yleismootori tai laite, johon se on asennettuna, yhdessä ostokuitin kanssa maasi valtuutetulle Honda-mootorin jälleenmyyjälle tai jälleenmyyjälle, jolta ostit tuotteen. Etsi lähin Honda-jälleenmyyjä-/liike tai tarkista maakohtaiset takuehdot Hondan kansainväliseltä palvelusivustolta <https://www.hppsv.com/ENG/> tai ota suoraan yhteyttä jälleenmyyjään maassasi.



<https://www.hppsv.com/ENG/>

Vastuunrajaus:

Mootoritakuu ei kata seuraavia:

- Vahingot ja viat, joihin on syytä jokin seuraavista:
 - moottorin omistajan käsikirjassa määritettyjen säännöllisten kunnossapitotoimien laiminlyönti
 - virheelliset korjaus- tai huoltotoimet
 - moottorin käyttö muulla tavoin kuin moottorin omistajan käsikirjassa määritetyllä tavalla
 - vika aiheutuu tuotteesta, jossa moottori on asennettuna
 - järjestelmää muutetaan käyttämään muuta polttoainetta kuin polttoainetta, jonka käyttöä varten moottori on alun perin suunniteltu omistajan käsikirjan ja/tai takuutietojen mukaisesti, tai siinä käytetään muuta polttoainetta
 - tuotteessa käytetään muita kuin alkuperäisiä Honda-osa- ja -lisävarusteita tai Hondan hyväksymiä osia ja lisävarusteita (muita kuin suositeltuja voiteluaineita ja nesteitä) (ei vaikuta päätöskäyttöön, jos osa vastaa alkuperäisen Honda-osan teknisii ominaisuuksia eikä ole aiheuttanut vika)
 - noesta, savusta, kemiallisista aineista, lintujen jätöksistä, merivedestä, merituulesta, suolasta tai muista ympäristöilmiöistä kohdistuu vaikutuksia tuotteeneseen
 - kolari, saastunut tai pilaantunut polttoaine, huolimaton toiminta, luvottomat muutokset tai väärinkäyttö
 - luonnollinen kuluminen (maalattujen tai levytettyjen pintojen luonnollinen haalistuminen, hiseileminen tai muu luonnollinen muutos).
- Kuluvat osat: Honda ei myönnä takuuta luonnollisesta kulumisesta johtuville muutoksille. Alla luettelut osat eivät kuulu takuun laajuuteen (ellei niitä tarvita muun takuukorjauksen osana):
 - syytystulppa, polttoainesuodatin, ilmanpuhdistuselementti, kytkinlevy, takaisinlatautuva vetonaru
 - voiteluaine: öljy ja rasva
- Puhdistus- ja säätötoimet sekä säännöllisesti tehtävät kunnossapitotoimet (kaasuttimen puhdistus ja moottoriöljyn vaihto).
- Hondan yleismootorin käyttö kilpailutarkoituksessa.
- Moottori on osa tuotetta, joka on julistettu kuuluvaksi täysvahingon piiriin tai jonka rahoituslaitos tai vakuutuslaitos on lunastanut.

fi

Международная гарантия на двигатель общего назначения Honda

На двигатель общего назначения Honda, установленный на данном изделии, распространяется общая гарантия на двигатели Honda, исходя из следующих предположений.

- Условия гарантийного обслуживания соответствуют условиям, принятым для двигателей Honda общего назначения в каждой из стран.
- Условия гарантийного обслуживания распространяются на все неисправности двигателей, связанные с ненадлежащим качеством изготовления или комплектацией.
- Гарантийные обязательства не распространяются на страны, где нет дистрибьюторов компании Honda.

Порядок действий для получения гарантийного обслуживания:

Вам необходимо передать двигатель общего назначения Honda или оборудование, в котором он установлен, вместе с подтверждением даты первоначальной розничной покупки, дилеру по двигателям Honda, уполномоченному продавать данное изделие в вашей стране, или дилеру, у которого вы приобрели изделие. Чтобы найти поблизости дилера/дистрибутора Honda или проверить условия гарантии в вашей стране, посетите наш международный веб-сайт с указанием информации об обслуживании <https://www.hppsv.com/ENG/> или обратитесь к дистрибутору в своей стране.



<https://www.hppsv.com/ENG/>

Исключения:

Данная гарантия на двигатель не распространяется на следующее:

- Повреждения и износ, возникшие по перечисленным ниже причинам:
 - Невыполнение регулярного технического обслуживания в соответствии с указаниями, приведенными в руководстве владельца.
 - Неправильное выполнение ремонта или технического обслуживания.
 - Способы эксплуатации, отличные от указанных в руководстве владельца двигателя.
 - Повреждения, возникшие из-за изделия, на котором установлен двигатель.
 - Повреждения, возникшие из-за модернизации для перехода на топливо или применения топлива такого вида, для которого изначально не был разработан двигатель и который не указан в руководстве владельца двигателя и/или гарантийном талоне.
 - Применение неоригинальных запасных частей и принадлежностей Honda, не утвержденных компанией Honda (отличных от рекомендованных смазочных материалов и жидкостей) (не применяется к гарантии на токсичность выхлопа, если используется неоригинальная запасная часть несравнима с запасной частью Honda и была причиной отказа).
 - Воздействие на изделие сажи и дыма, химических реагентов, птичьего помета, морской воды, морского бриза, соли и других природных явлений.
 - Столкновение, загрязнение или ухудшение характеристик топлива, халатность, несанкционированные изменения или неправильная эксплуатация.
 - Естественный износ и разрывы (естественное выцветание покрашенных или покрытых металлом поверхностей, шелушение деталей из листового материала и другие ухудшения характеристик по естественным причинам).
- Расходные детали: Гарантия Honda не распространяется на ухудшение характеристик деталей, возникшее по причине естественного износа и разрывов. На перечисленные ниже детали и в указанных ниже случаях гарантия не предоставляется (за исключением случаев, когда такие детали требуются для проведения другого гарантийного ремонта).
 - Свеча зажигания, топливный фильтр, фильтрующий элемент воздушного фильтра, диск муфты сцепления, трос ручного стартера.
 - Смазочные материалы: масло и консистентная смазка.
- Работы по очистке, регулировке и стандартному плановому техническому обслуживанию (чистка карбюратора и слив моторного масла).
- Использование двигателя общего назначения Honda для гонок или соревнований.
- Любой двигатель, который является частью продукта, объявленного финансовым учреждением или страховой компанией полностью утраченным или проданным как списанное имущество.

ru

HONDA
The Power of Dreams